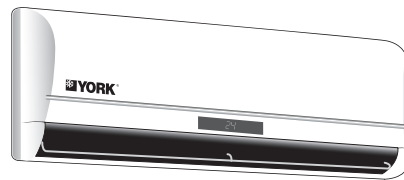




Installation & Owner's Manual

MINISPLIT HIGH WALL AIR CONDITIONER

MODELS
RLCA-RLHA 07-30



The units comply with one or more of the following marks - see unit for details.



EN 035M80147-000

CONTENTS

Safety Precautions

Part Names

Manual Operation

How the air conditioner works

Optimal operation

Preparation Before Installation

Installation Procedure

Maintenance

Operation tips

Troubleshooting Guide

Technical Specification

Declaration of conformity



Please read this installation manual carefully before starting the installation. It will tell you necessary information.

Quality POLICY

We will continuously strive to satisfy our customers with consistent reliability in product, service and support through superior quality, service culture and distinctive technology.

	R22	
	50Hz	60Hz
Set	RLCAxxFSAAAR	RLCAxxFSAADR
	RLHAxxFSAAAR	RLHAxxFSAADR
Outdoor	RLDAxxFS-AAR	RLDAxxFS-ADR
	RLJAxxFS-AAR	RLJAxxFS-ADR
Indoor	RLEAxxFS-AAR	RLEAxxFS-ADR
	RLKAxxFS-AAR	RLKAxxFS-ADR

REQUIRED TOOLS

1. Screw driver
2. Hexagonal wrench
3. Torque wrench
4. Spanner
5. Reamer
6. Hole core drill
7. Tape measure
8. Thermometer
9. Manifold gauge
10. Gas leak detector
11. Vacuum pump
12. Pipe clamp
13. Pipe cutter
14. Flare tool set
15. Electrical circuit tester

EXTENDED PARTS

1. Refrigerant Pipe

Models	07-09	12-18	24-30
Liquid size	1/4 inch	1/4 inch	3/8 inch
Gas size	3/8 inch	1/2 inch	5/8 inch

2. Pipe insulation material (Polyethylene foam 9 mm thick)
3. Vinyl tape
4. Putty

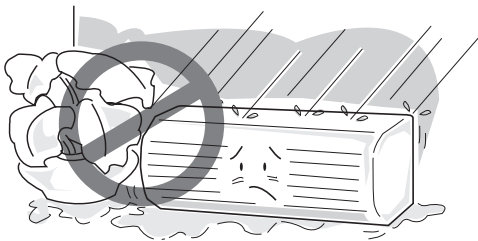
SAFETY PRECAUTIONS

- Please read this installation manual carefully before starting installation of the unit.
- This air conditioning system contains refrigerant under pressure, rotating parts and electrical connection which may be dangerous and can cause injury. Installation and maintenance of this air conditioning system should only be carried out by trained and qualified personnel.
- After unpacking, please check the unit carefully for possible damage.
- Before undertaking any work on the unit, make sure that the power supply has been disconnected.

WARNING & CAUTIONS

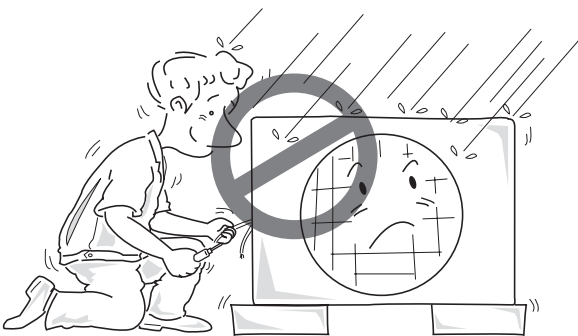
INSTALLATION

Do not store or unpack the unit in a wet area or expose to rain or water.



It may cause the unit to short circuit and may result electric shocks or fire.

Do not conduct installation in wet area or in the rain.



It is a high risk to cause the electrical shocks.

Do not install in a place where flammable gas may leak.



It may cause fire.

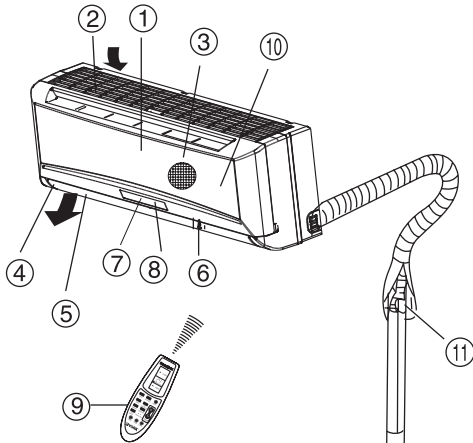
This system is designed for domestic or residential use only.



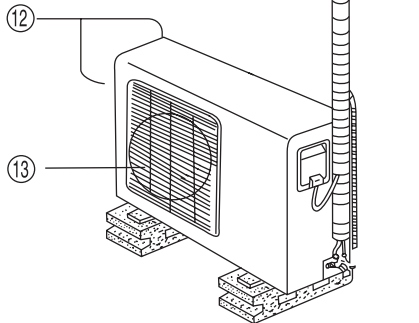
If used in certain environments, such as a manufacturing workplace, the equipment may not function efficiently.

PART NAMES

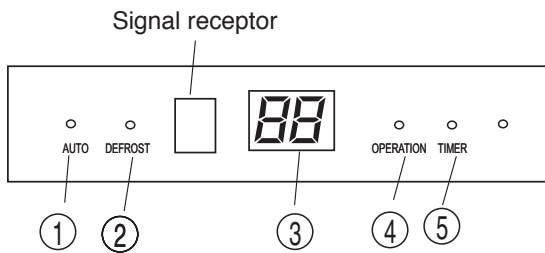
INDOOR UNIT



OUTDOOR UNIT



DISPLAY PANEL



INDOOR & OUTDOOR UNIT

- ① Front panel
- ② Air inlet
- ③ Air filter
- ④ Air outlet
- ⑤ Horizontal air flow grille
- ⑥ Vertical air flow louver
- ⑦ Display panel
- ⑧ Remote controller signal receiver
- ⑨ Remote controller
- ⑩ Manual control button
- ⑪ Connecting pipe, drain hose
- ⑫ Air inlet (side and rear)
- ⑬ Air outlet

DISPLAY PANEL

- ① **AUTO indicator**
This indicator illuminates when the air conditioner is in AUTO operation.
- ② **DEFROST indicator (For Cooling & Heating models only)**
This indicator illuminates when the air conditioner starts defrosting automatically or when the warm air control feature is activated in heating operation.
- ③ **TEMPERATURE indicator**
Displays the temperature settings when the air conditioner is operational.
- ④ **OPERATION indicator**
This indicator flashes after power is on and illuminates when the unit is in operation.
- ⑤ **TIMER indicator**
This indicator illuminates when TIMER is set ON/OFF.

NOTE

All the pictures in this manual are for explanation purpose only. They may be slightly different from the air conditioner your purchased. The actual shape shall prevail.

OPERATING TEMPERATURE

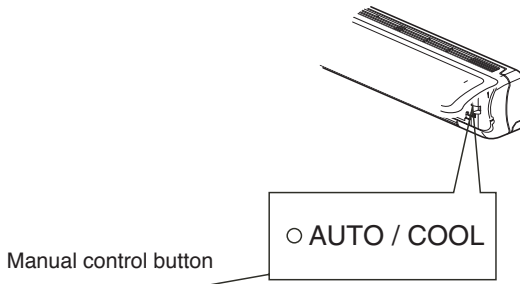
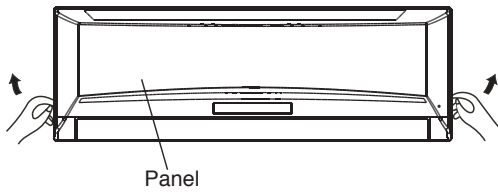
Mode	Cooling operation	Heating operation	Drying operation
Room temperature	17°C-32°C	17°C-30°C	17°C-32°C
Outdoor temperature	18°C-43°C	-7°C-24°C	18°C-43°C

CAUTIONS

1. If air conditioner is used outside of the above conditions, certain safety protection features may come into operation cause the unit to function abnormally.
2. Room relative humidity less than 80%. If the air conditioner operates in excess of this figure, the surface of the air conditioner may attract condensation. Please sets the vertical air flow louver to its maximum angle (Vertically to the floor), and set HIGH fan mode.
3. Optimum performance will be achieved within these operating temperature.

MANUAL OPERATION

Manual operation can be used temporarily in case you can not find the remote controller or its batteries are exhausted.

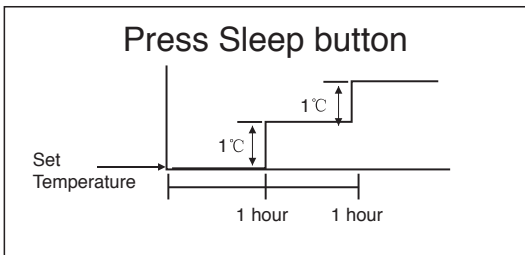


- ① Open and lift the front panel up to an angle at which it remains fixed with a clicking sound.
- ② Press the button until the AUTO indicator is lit, the unit will work in forced AUTO mode.
- ③ Close the panel firmly to its original position.

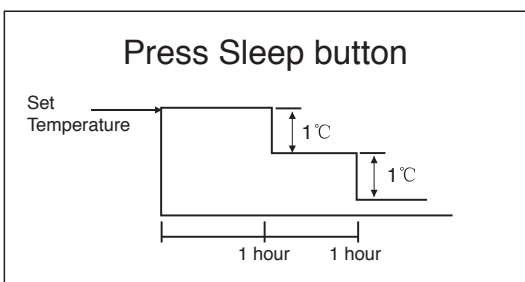
CAUTIONS

- Once you push the manual button, the operation mode is shifted in an order as: AUTO, COOL, OFF.
- Push the button twice, the unit will operate in forced COOL mode. This is used for testing purposes only.
- Third press will stop the operation and turn off the air conditioner operation.
- To restore the remote controller operation, use the remote controller directly.

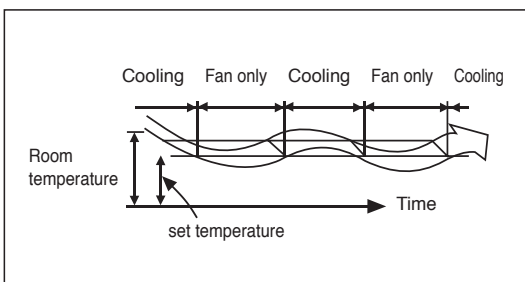
HOW THE AIR CONDITIONER WORKS



Cooling



Heating



DRYING operation

■ AUTOMATIC OPERATION

- When you set the air conditioner in AUTO mode, it will automatically select cooling, heating (cooling/heating models only), or fan only operation depending on what temperature you have selected and the room temperature.
- The air conditioner will control room temperature automatically around the temperature point set by you.
- If the AUTO mode is uncomfortable, you can select desired conditions manually.

■ SLEEP OPERATION

- When you push SLEEP button during cooling, heating (cooling only type without), or AUTO operation, the air conditioner will automatically increase (cooling) or decrease (heating) 1°C per hour. The set temperature will be steady 2 hours later.
- The fan speed will be automatically controlled.

■ DRYING OPERATION

- The dry mode will automatically select the drying operation based on the difference between the set temperature and the actual room temperature.
- The temperature is regulated while dehumidifying by repeating turning on and off of the cooling operation or fan only. The fan is low.

OPTIMAL OPERATION

To achieve optimal performance, Please note the following:

- Adjust the air flow direction correctly so that it is not directed on people.
- Adjust the temperature to achieve the highest comfort level. Do not adjust the unit to excessive temperature levels.
- Close doors and windows on COOL or HEAT modes, or performance may be reduced.
- Use TIMER ON button on the remote controller to select a time you want to start your air conditioner.
- Do not put any object near air inlet or air outlet, as the efficiency of the air conditioner may be reduced and the air conditioner may stop running.
- Clean the air filter periodically, otherwise cooling or heating performance may be reduced.
- Do not operate unit with horizontal louver in closed position.

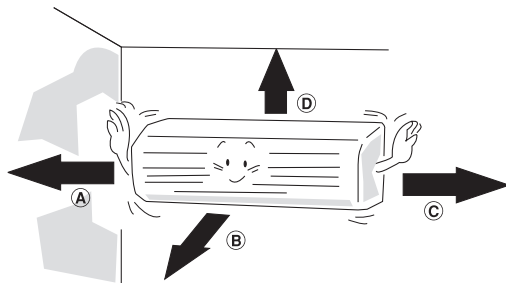
PREPARATION BEFORE INSTALLATION

- Before doing any work, check the interior power supply cord and the main breaker capacity are sufficient and the installation area is sufficient and complies with the requirements.
- Check that the power supply available agrees with name plate voltage.
- Electrical work, wiring and cables must be in compliance with national and local wiring codes and standard.
- Do not use the extension cables. In the case extended cables are needed, use the terminal block.

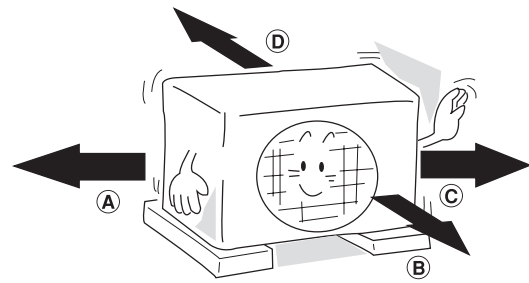
SELECTION OF THE LOCATION

- Select a place which provides the space around the units as shown in the diagram below.

INDOOR UNIT



OUTDOOR UNIT



Models	07	09	12	18	24	28	30
A	12cm	12cm	12cm	12cm	12cm	12cm	12cm
B	70cm	70cm	70cm	70cm	70cm	70cm	70cm
C	12cm	12cm	12cm	12cm	12cm	12cm	12cm
D	15cm	15cm	15cm	15cm	15cm	15cm	15cm

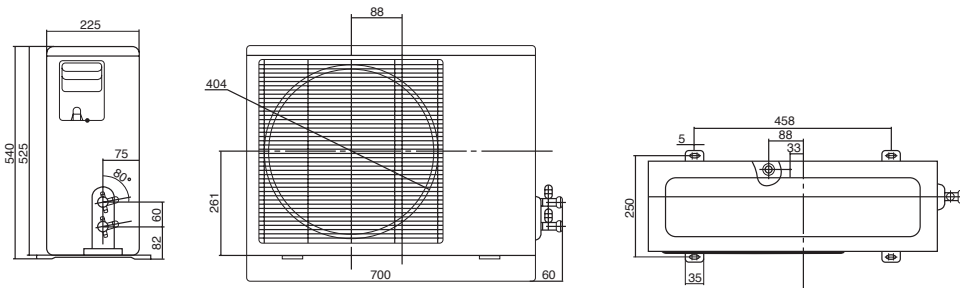
Models	07	09	12	18	24	28	30
A	30cm	30cm	30cm	30cm	30cm	30cm	30cm
B	200cm	200cm	200cm	200cm	200cm	200cm	200cm
C	60cm	60cm	60cm	60cm	60cm	60cm	60cm
D	30cm	30cm	30cm	30cm	30cm	30cm	30cm

CAUTION

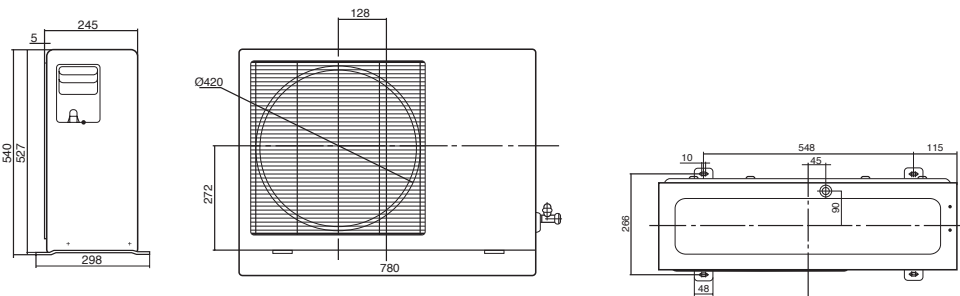
- Do not install in a place that cannot bear the weight of the unit.

OUTDOOR UNIT PICTURES

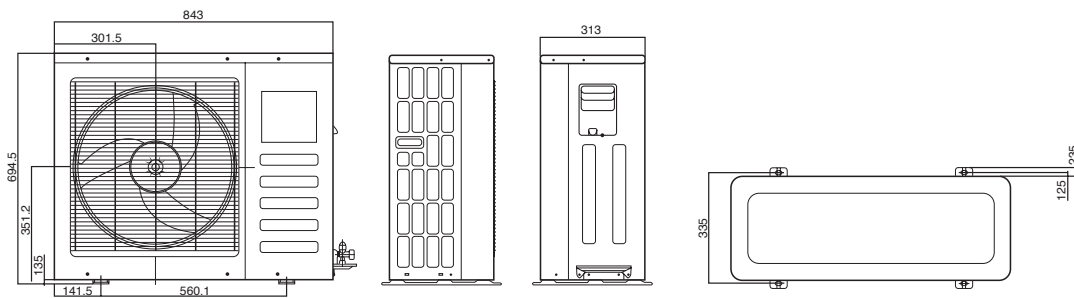
RLDA-RLJA 07-09



RLDA-RLJA 12-18



RLDA-RLJA 24-30



PARTS INSTALLATION

Number	Name of part	Q'ty		
1	Installation plate	1		
2	Clip anchor	8		
3	Self-tapping screw A ST3.9X25	8		
4	Connecting pipe assembly	Liquid side	ø 6.35	Parts you must purchase
		Gas side	ø 9.53 (<12000Btu/h model)	
			ø 12.7 (21000Btu/h model > Cooling capacity ≥ 12000Btu/h model)	
			ø 16 (≥21000Btu/h model)	
5	Remote controller	1		
6	Self-tapping screw B ST3.9X10	2		
7	Remote controller holder	1		
8	Seal	1		
9	Drain joint	1		

NOTES

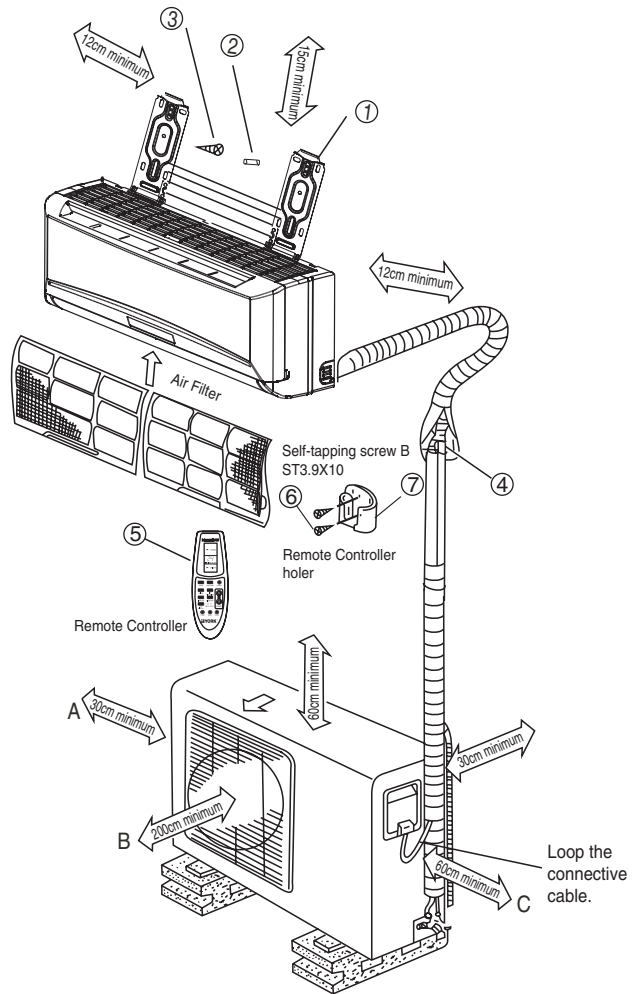
Except the above parts provided, the other parts needed during installation you must purchase.

CAUTIONS

- Ensure that the space around the left and right of the indoor unit is more than 12cm.
- The indoor unit should be installed allowing a minimum clearance of 15cm from the ceiling.
- Use a stud finder to locate studs to prevent unnecessary damage to the wall.
- A minimum pipe run of 3 metres is required to minimise vibration & excessive noise.
- The indoor unit should be installed on the wall at a height of 2.3 metres or more from the floor.
- A, B and C directions should be free from obstructions.

NOTES

- This illustration is for explanation purposes only.
- Copper lines must be insulated independently.

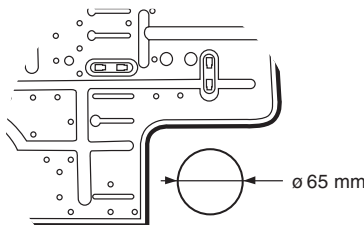


INSTALLATION PROCEDURE

INDOOR UNIT

■ Fixing

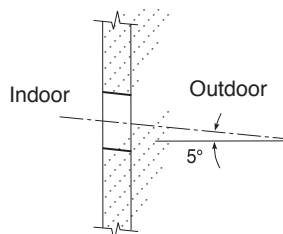
- Place the installation guide pattern on the designated installation place and mark the hole position.
- Drill a hole and mount installation plate.



- After determining the pipe hole position. Drill the hole at a slight downward slant towards the outdoor side.

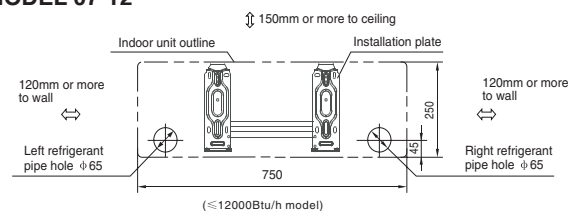
Note:

When installing the refrigerant pipes from others side. A hole must be place to allow fall towards the outdoor unit.

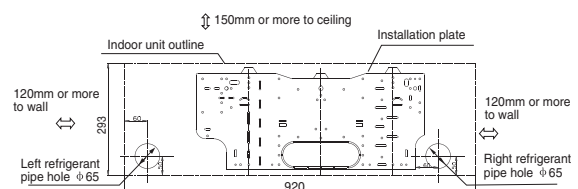


- Make 6 mm 4-6 holes, in the wall at the four corners of mouting plate (bracket) then insert appropriate mouting devices.
- Install the mounting plate using 4-6 pieces of mounting screw securely at four corners and tighten the screw completely. Do not over tighten the screws and deform the back plate.

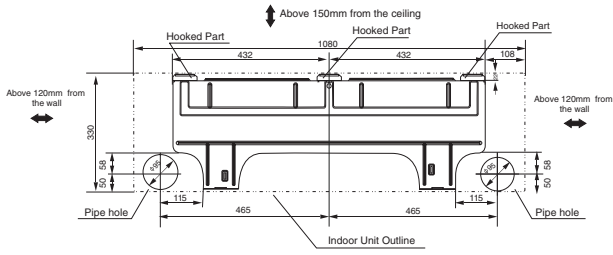
MODEL 07-12



MODEL 18



MODEL 24-30



CAUTION

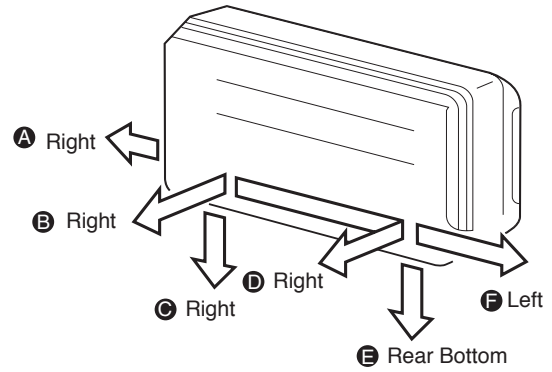
- Be careful when handling the sharp edge of the mounting plate.

Wiring

- This indoor unit is ready for connection to the outdoor unit.

CAUTION

- Never modify the unit by removing any of the safety guards or by passing any of the safety interlock switches.
- Connect the interconnecting cable correctly and connect the connecting cable to terminal as identified with their respective marking.
- Do not damage the conductor core or inner insulation of power supply cables and do not deform or crush the cables.



Piping

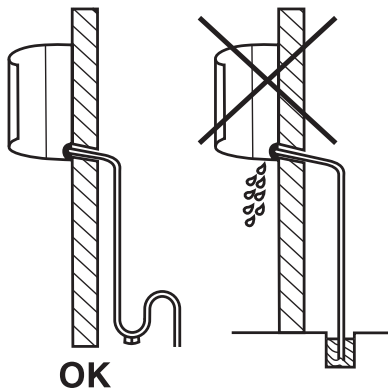
The auxiliary piping can be connected in the directions shown in the above diagram. To connect in the **D**, **E** and **F** direction, pipes will need to be extended.

CAUTIONS

- Bend pipes carefully to avoid flattening or obstructing them if the pipes are bent incorrectly, the indoor unit may be unstable on the wall.
- Carefully arrange pipes so that pipes do not stick out of the rear plate of the indoor unit.

Drain hose

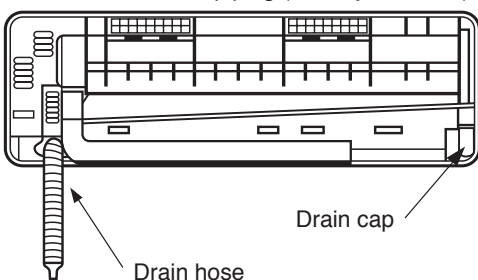
- Drain hose is flexible and can be routed to suit various piping arrangements. The drain line must include elbow trap (U bend). Connect a plastic condensate pipe with an internal diameter of 12 mm.



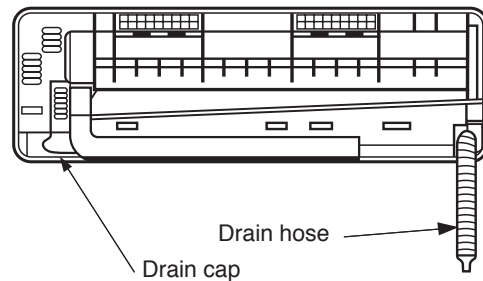
Note: Do not put the drain hose end into water.

- The drain hose can be connected to the left or the right side.

For left and left rear piping (Factory standard)

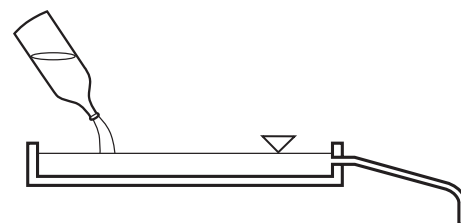


For right connection



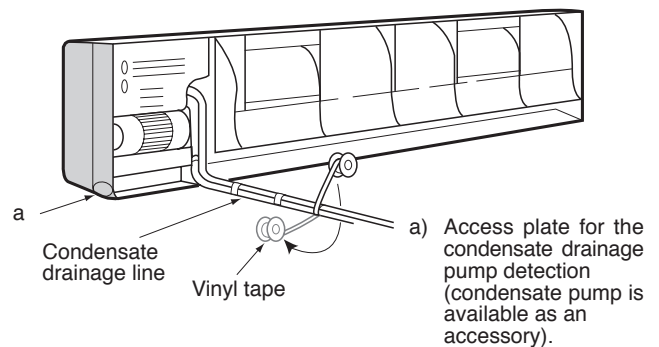
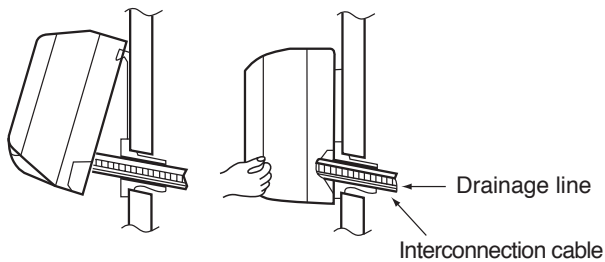
Verification of condensate water drainage:

Fill the drain pan with water and observe evacuation.



■ Indoor Unit Fixing

- Thread the indoor unit piping and cable through the hole.
- Hang the top of the unit onto the upper ridge of them in mounting plate.
- Make sure that the unit is correctly hung in place by sliding it to the left, then to the right.
- Press the bottom left and bottom right hand corners of the unit against the mounting plate until the fixing prongs click into place in the retainers provided to that effect.



Note: The condensate evacuation line should be taped to the refrigerant lines with vinyl tape.

OUTDOOR UNIT

■ Fixing and Piping

- Piping must be performed by qualified personnel according to good refrigeration systems practices.
- Piping materials and insulation materials must be of refrigerant quality.
- Select the pipe diameters according to the size of unit and cut the pipe to design length by using pipe cutter.
- Install the flare nuts and flare the end of the pipes.
- Check that no foreign bodies are inside the piping.
- Align the central of the connecting pipes and tighten the flare nut.
- Fix piping with pipe clamps and check that any pipe vibrations cannot be transmitted to the building structure.

NOTES

- Connect the pipe correctly.
- Do not apply the excessive torque.
- Use an appropriate bending tool to form curves and avoid over-tightening the refrigerant tubes.
- To prevent heat loss, the two lines must be insulated separately.

■ Maximum Piping Length

Unit size	MODELS						
	7	9	12	18	24	28	30
(m)	10	15	18	20	20	20	20

The suction line must have a 2% gradient up to the compressor on horizontal sections.

Where piping lengths are unusually long and include a large number of oil traps, it may be necessary to adjust to compressor charge.

Refrigerant charge to be added per extra meter of piping length when more than 7.5 meters.

Unit size	MODELS						
	7	9	12	18	24	28	30
g/m	30	30	30	30	65	65	65

■ Refrigerant piping connections (FLARE connections)

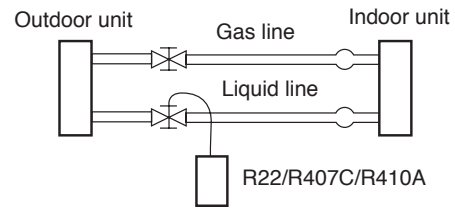
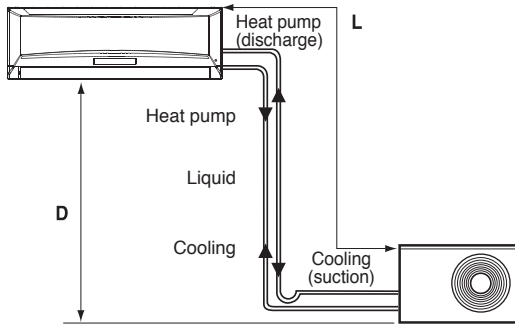
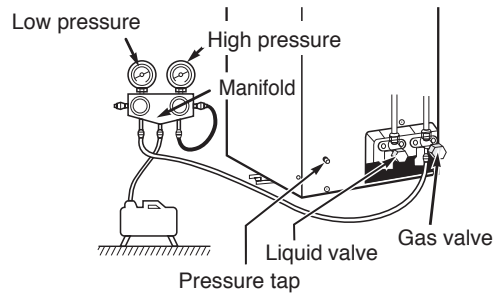
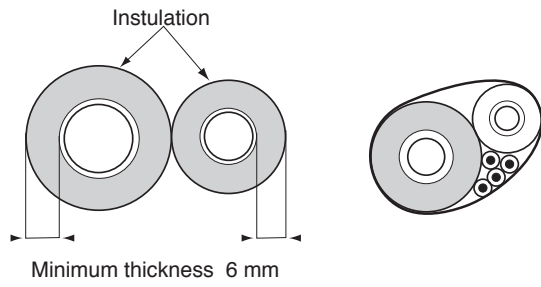
To avoid alteration of unit capacities, check that piping lengths and changes in elevation are kept to a strict minimum.

Before connecting the refrigerant lines, follow the procedures below (if pre-charged connection lines are not supplied):

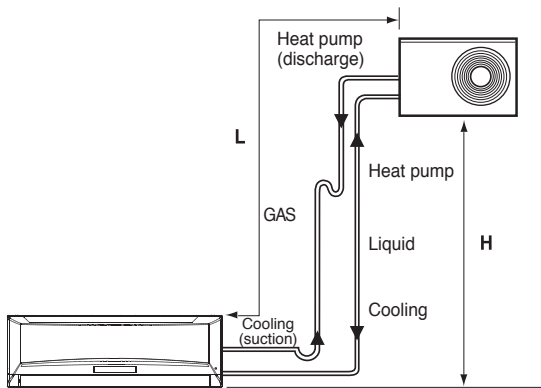
- Select copper pipe diameters according to the size of unit to be installed.
- Install the refrigeration lines, checking that no foreign bodies get inside the piping.
- Install the flare connectors and flare the ends of the pipes.
- Evacuate the piping. This operation, which should last at least 15 minutes if there are large piping lengths and changes in elevation, should be followed by a leak test.

To this effect, when the piping has been evacuated, close the pressure gauge tap, note the value on the gauge, then wait for 15 minutes. If the needle moves, there is a leak in the system. Make the necessary adjustments or repairs and repeat this procedure until the needle no longer moves.

- Open the service valves and top up the refrigerant charge if necessary.

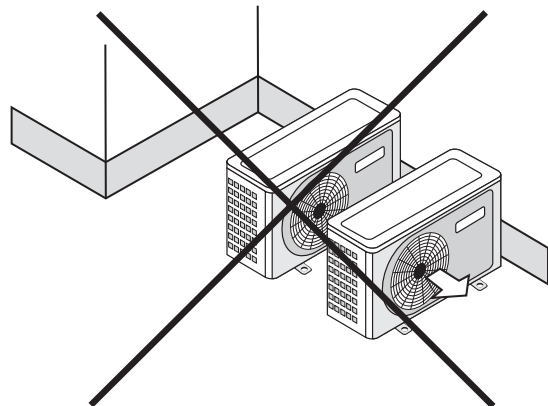
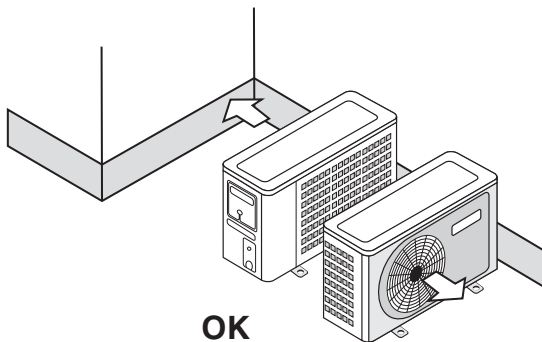


This unit is shipped complete with a charge of R22/R407C/R410A refrigerant that will be sufficient for an interconnecting piping length of 5 meters.



COLD AREA RECOMMENDATION

- Outdoor heat pump unit : install the unit at least 10 cm above ground level to facilitate drainage of defrost water and prevent accumulation of ice. In effect, defrost water can cause accumulation of ice under the unit during subfreezing outdoor temperatures.
- In areas with heavy snowfall it is best to install the unit on wall supports.
- In some regions. It is necessary to heat the bottom of the condensate drainage pan and the condensate drainage piping to avoid ice formation, and resulting ice build-up in the fan compartment (heater strip must be at least 25 w/m).



■ Wiring

Prepare the power source for exclusive with the air conditioner.

The supply voltage must comply with the rated voltage of the air conditioner: The plug socket shall be accessible after installation.

Remark: All the wiring must be based on the wiring nameplate which is shown on the model.

CAUTIONS

- Perform the wiring with sufficient capacity. Installation places legally require a short circuit isolator to be attached to prevent electrical shock.
- Do not extend the power cable code by cutting.
- Power voltage should be in the range of 90%~110% of rated voltage.
- The plug of the air conditioner takes a grounding leg, and clients should use a grounding socket so that the air conditioner can be grounded efficiently.
- If the power cord is damaged, replacement should be conducted by qualified technician or a serviceman.

NOTE Remark per EMC Directive 89/336/EEC

To prevent flicker impressions during the start of the compressor (technical process), following installation conditions do apply.

1. The power connection for the air conditioner has to be done at the main power distribution.
The distribution has to be of a low impedance, normally the required impedance reaches at a 32 A fusing point.
2. No other equipment has to be connected with this power line.
3. For detailed installation acceptance, please refer to your contract with the power supplier if restrictions do apply for products like washing machines, air conditioner or electrical ovens.
4. For power details of the air conditioner, refer to the rating plate of the product.
5. For any question, contact your local dealer.

CAUTIONS

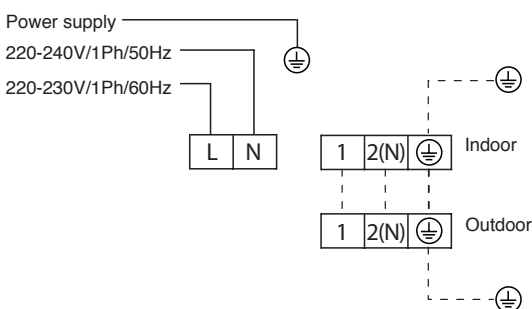
- Never modify the unit by removing any of the safety guards or by bypassing any of the safety interlock switches.
- Connect the connecting cable correctly and connect the connecting cable to terminal as identified with their respective marks.
- Do not scratch the conductive core & inner insulator of power supply cables and do not deform or smash on the surface of cables.

■ Electrical Connections

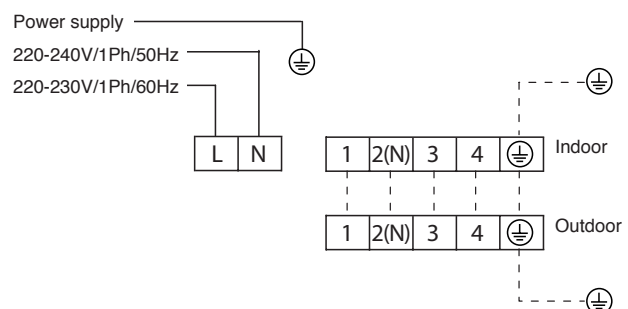
All electrical wiring and connections must comply with local codes and standards. Power supply cord and interconnection cord used must not be lighter than Polychloroprene sheeted cord (245 IEC 57 or H05RN-F).

Disconnecting device must have a contact separation of at least 3 mm.

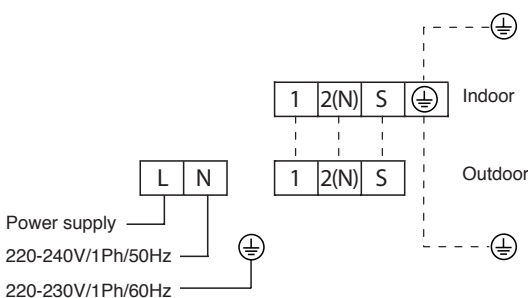
Models : 07-18 (Cooling only)



Models : 07-18 (Cooling and Heating)



Models : 24-30 (Cooling only / Cooling and Heating)

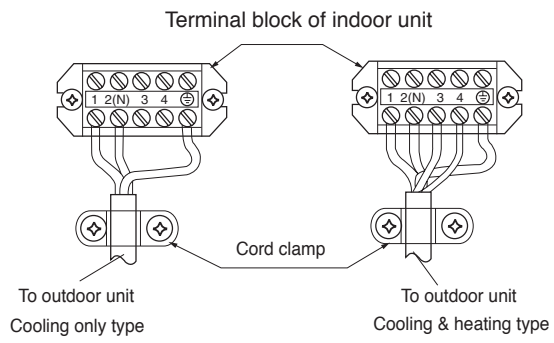


For correct installation, a proper ground connection must be made for unit.

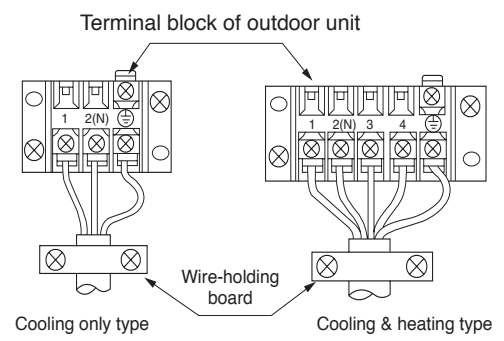
■ Wiring Connection

Models : 07-18

Indoor

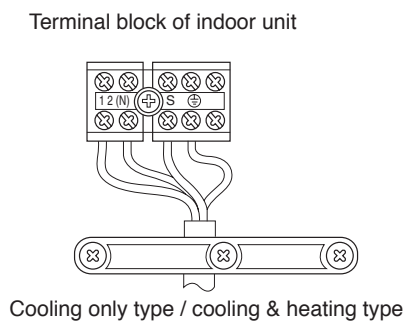


Outdoor

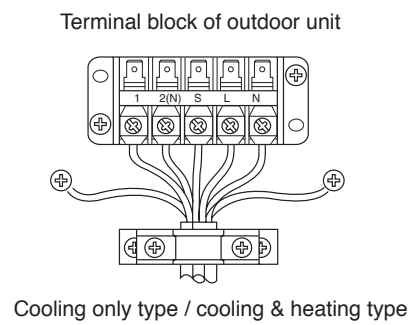


Models : 24-30

Indoor



Outdoor



■ Electrical Work

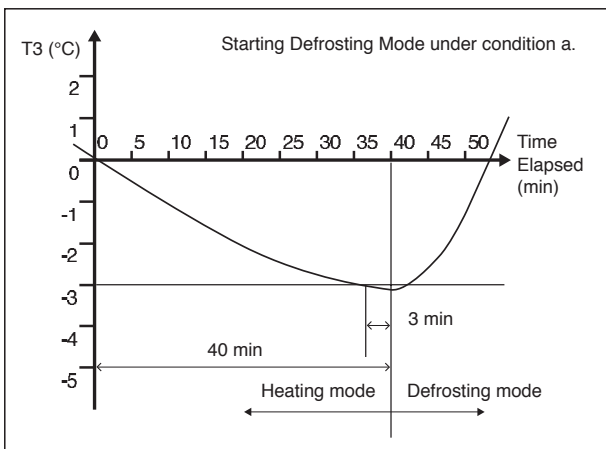
Model	Power Source	Switch and Fuse rating	Wiring size
7000-9000 Btu/h	220-240V ~ 50Hz	10A	$\geq 1.0 \text{ mm}^2$
	220-230V ~ 60Hz		
12000 Btu/h	220-240V ~ 50Hz	16A	$\geq 1.5 \text{ mm}^2$
	220-230V ~ 60Hz		
18000 Btu/h	220-240V ~ 50Hz	25A	$\geq 2.5 \text{ mm}^2$
	220-230V ~ 60Hz		
24000-30000 Btu/h	220-240V ~ 50Hz	32A	
	220-230V ~ 60Hz		

NOTE

The supply voltage must be consistent with the rated voltage of the air conditioner.

■ Defrosting operation (Available for heating only)

1. Condition to start defrosting: Units will switch to defrosting mode when either of the following conditions is met.
 - a. Unit has been running under $T_3 < 0^\circ\text{C}$ for 40 minutes and $T_3 < -3^\circ\text{C}$ for 3 minutes.
 - b. Unit has been running at high temperature protection mode* for 90 minutes. (*High temperature protection mode: when coil temperature of indoor unit reaches 55°C , outdoor unit will turn off external unit fan but still keep compressor running).

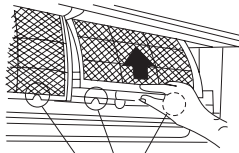
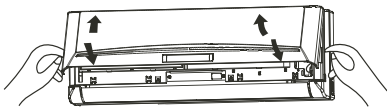
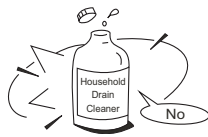


2. Condition to stop defrosting: Units will switch back to heating mode when either of the following conditions is met.

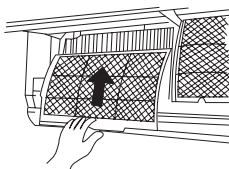
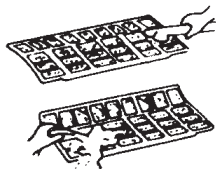
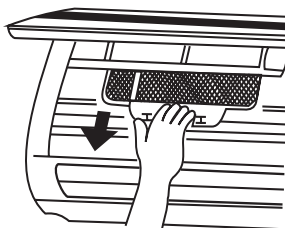
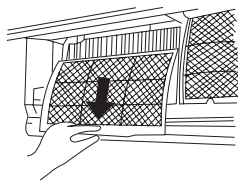
- a. Unit has been running at defrosting mode for 10 minutes.
- b. $T_3 > 20^\circ\text{C}$

Remark: T3 is coil temperature of outdoor units.

MAINTENANCE



Filter Handle



! WARNING

It is necessary to stop the air conditioner and disconnect the power supply before cleaning.

■ Cleaning the indoor unit and remote controller

! CAUTION

- Use a dry cloth to wipe the indoor unit and remote controller.
- A cloth dampened with cold water may be used on the indoor unit if it is very dirty.
- The front panel of the indoor unit can be removed and cleaned with water. Then wipe it with a dry cloth.
- Do not use a chemically treated cloth or duster to clean the unit.
- Do not use benzine, thinner, polishing powder, or similar solvents for cleaning. These may cause the plastic surface to crack or deform.

■ Cleaning the air filter

A clogged air filter reduces the cooling efficiency of this unit. Please clean the filter once every 2 weeks.

1. Lift the indoor unit panel up to an angle until it stops with a clicking sound.
2. Take hold of the handle of the air filter and lift it up slightly to take it out from the filter holder, then pull it downwards.
3. Remove the AIR FILTER from the indoor unit.
 - Clean the AIR FILTER once two weeks.
 - Clean the AIR FILTER with a vacuum cleaner or water, then dry it up in cool place.
4. Remove the Electrostatic Filter from its support frame as shown in the Figure on the left (Not applicable to the units without electrostatic filter).
 - ! Do not touch this Electrostatic Filter within 10 minutes after opening the inlet grille, it may cause an electric shock.
 - Clean the Electrostatic Filter with mild detergent or water and dry in the sunlight for two hours.
 - Before re-install the Electrostatic Filter, check whether the corona line or support frame is damaged or not.
5. Install the AIR FILTER back into position.
6. Insert the upper portion of the AIR FILTER back into the unit taking care that the left and right edges line up correctly and place filter into position.

■ Maintenance

If you plan to idle the unit for a long time, perform the following:

- (1) Operate the fan for about half a day to dry the inside of the unit.
- (2) Stop the air conditioner and disconnect power.
Remove the batteries from the remote controller.
- (3) The outdoor unit requires periodic maintenance and cleaning. Do not attempt to do this yourself.
Contact your dealer or servicer.

■ Checks before operation

- Check that the wiring is not broken off or disconnected.
- Check that the air filter is installed.
- Check if the air outlet or inlet is blocked after the air conditioner has not been used for a long time.

! CAUTION

- Do not touch the metal parts of the unit when removing the filter. Injuries can occur when handling sharp metal edges.
- Do not use water to clean inside the air conditioner. Exposure to water can destroy the insulation, leading to possible electric shock.
- When cleaning the unit, first make sure that the power and circuit breaker are turned off.

OPERATION TIPS

The following events may occur during normal operation.

1. Protection of the air conditioner.

Compressor protection

- The compressor can not restart for 3 minutes after it stops.

Anti-cold air (Cooling and heating models only)

- The unit is designed not to blow cold air on HEAT mode, when the indoor heat exchanger is in one of the following three situations and the set temperature has not been reached.
 - A) When heating has just starting.
 - B) Defrosting.
 - C) Low temperature heating.
- The indoor or outdoor fan stop running when defrosting (Cooling and heating models only).

Defrosting (Cooling and heating models only)

- Frost may be generated on the outdoor unit during heat cycle when outdoor temperature is low and humidity is high resulting in lower heating efficiency of the air conditioner.
- During this condition air conditioner will stop heating operation and start defrosting automatically.
- The time to defrost may vary from 4 to 10 minutes according to the outdoor temperature and the amount of frost buildup on the outdoor unit.

2. A white mist coming out from the indoor unit.

- A white mist may generate due to a large temperature difference between air inlet and air outlet on COOL mode in an indoor environment that has a high relative humidity.
- A white mist may generate due to moisture generated from defrosting process when the air conditioner restarts in HEAT mode operation after defrosting.

3. Low noise of the air conditioner.

- You may hear a low hissing sound when the compressor is running or has just stopped running. This sound is the sound of the refrigerant flowing or coming to a stop.
- You can also hear a low "squeak" sound when the compressor is running or has just stopped running. This is caused by heat expansion and cold contraction of the plastic parts in the unit when the temperature is changing.
- A noise may be heard due to louver restoring to its original position when power is first turned on.

4. Dust is blown out from the indoor unit.

This is a normal condition when the air conditioner has not been used for a long time or during first use of the unit.

5. A peculiar smell comes out from the indoor unit.

This is caused by the indoor unit giving off smells permeated from building material, from furniture, or smoke.

6. The air conditioner turns to FAN only mode from COOL or HEAT (for cooling and heating models only) mode.

When indoor temperature reaches the temperature setting on air conditioner, the compressor will stop automatically, and the air conditioner turns to FAN only mode. The compressor will start again when the indoor temperature rises on COOL mode or falls on HEAT mode (for cooling and heating models only) to the set point.

- 7. Dripping water may generate on the surface of the indoor unit when cooling in a high relatively humidity (relative humidity higher than 80%). Adjust the horizontal louver to the maximum air outlet position and select HIGH fan speed.

8. Heating mode (For cooling and heating models only)

The air conditioner draws in heat from the outdoor unit and releases it via the indoor unit during heating operation. When the outdoor temperature falls, heat drawn in by the air conditioner decreases accordingly. At the same time, heat loading of the air conditioner increases due to larger difference between indoor and outdoor temperature. If a comfortable temperature can not be achieved by the air conditioner, we suggest you use a supplementary heating device.

9. Auto-restart function

Power failure during operation will stop the unit completely. For the unit without Auto-restart feature, when the power restores, the RUN indicator on the indoor unit starts flashing. To restart the operation, push the ON/OFF button on the remote controller. For the unit with Auto-restart feature, when the power restores, the unit restarts automatically with all the previous settings preserved by the memory function.

10. Lightning or a car wireless telephone operating nearby may cause the unit to malfunction.

Disconnect the unit with power and then re-connect the unit with power again. Push the ON/OFF button on the remote controller to restart operation.

TROUBLESHOOTING GUIDE

Problem	Probable cause	Remedy
A. The air conditioner does not run.	<ol style="list-style-type: none"> 1. Power failure. 2. Fuse blown or circuit breaker open. 3. Voltage is too low. 4. Faulty contactor or relay. 5. Electrical connections loose. 6. Thermostat adjustment too low (in heating mode) or too high (in cooling mode). 7. Faulty capacitor. 8. Incorrect wiring, terminal loose. 9. Pressure switch tripped. 	<ol style="list-style-type: none"> 1. Wait for power resume. 2. Replace the fuse or reset the breaker. 3. Find the cause and fix it. 4. Replace the faulty component. 5. Retighten the connection. 6. Check thermostat setting. 7. Find the cause then replace capacitor. 8. Check and retighten. 9. Find the cause before reset.
B. The outdoor fan runs but the compressor will not start.	<ol style="list-style-type: none"> 1. Motor winding cut or grounded. 2. Faulty capacitor. 	<ol style="list-style-type: none"> 1. Check the wiring and the compressor winding resistance. 2. Find the cause then replace capacitor.
C. There is insufficient heating or cooling.	<ol style="list-style-type: none"> 1. There is a gas leak. 2. Liquid and gas line insulated together. 3. The room was probably very hot (cool) when you started the system. 	<ol style="list-style-type: none"> 1. Remove charge, repair, evacuate and recharge. 2. Insulate them separately. 3. Wait while unit has enough time to cool the room.
D. The compressor runs continuously.	<ol style="list-style-type: none"> 1. Thermostat adjustment too low (in heating mode) or too high (in cooling mode). 2. Faulty fan. 3. Refrigerant charge too low, leak. 4. Air or incondensables in refrigerant circuit. 	<ol style="list-style-type: none"> 1. Check thermostat setting. 2. Check condenser air circulation. 3. Find leak, repair and recharge. 4. Remove charge, evacuate and recharge.
E. The compressor starts but shuts down quickly.	<ol style="list-style-type: none"> 1. Too much or too little refrigerant. 2. Faulty compressor. 3. Air or incondensables in refrigerant circuit. 4. Changeover valve damaged or blocked open (heat pump unit). 	<ol style="list-style-type: none"> 1. Remove charge, evacuate and recharge. 2. Determine the cause and replace compressor. 3. Remove charge, evacuate and recharge. 4. Replace it.
F. Clicking sound is heard from the air conditioner.	<p>In heating or cooling operation any plastic parts may expand or shrink due to a sudden temperature change in this event, a clicking sound may occur.</p>	<p>In heating or cooling operation any plastic parts may expand or shrink due to a sudden temperature change in this event, a clicking sound may occur.</p>

TECHNICAL SPECIFICATIONS

Technical Specifications : Everest RLCA-RLHA “R22” -50Hz

Models		Indoor Unit	RLEA-RLKA															
			RLEA07	RLKA07	RLEA09	RLKA09	RLEA12	RLKA12	RLEA18	RLKA18	RLEA24	RLKA24	RLEA28	RLKA28				
Power Supply		Outdoor Unit	RLDA-RLJA															
			RLDA07	RLJA07	RLDA09	RLJA09	RLDA12	RLJA12	RLDA18	RLJA18	RLDA24	RLJA24	RLDA28	RLJA28				
Power Supply		V/Ph/Hz	220-240/1/50															
		Ph	1			1			1			1			1			
Power Consumption		kW	0.8	0.8	1.01	1.01	1.35	1.35	1.96	1.96	2.8	2.8	3.25	3.25/3.36				
Running Current		A	3.5	3.5	4.6	4.6	6.0	6.0	9.4	9.4	12.5	12.5	14.8	14.8/15.2				
Refrigerant Type		R22																
Refrigerant Charge		gr	530	570	580	800	850	900	1130	1400	1450	1900	1900	1950				
Noise level	Indoor	dB(A)	35/32/30	35/32/30	37/34/32	37/34/32	37/32/28	37/32/28	42/40/38	42/40/38	45/42/39	45/42/39	47/44/41	47/44/41				
	Outdoor		49	49	50	50	54	54	56	56	55	55	57	57				
Indoor Unit	Power Supply		V/Ph/Hz	220-240/1/50														
			Ph	1			1			1			1			1		
	Fan	Air flow	m³/h	400	400	450	450	580	580	800	800	1080	1080	1150	1150			
		Input Power	W	39.5	39.5	39.5	39.5	38.5	38.5	53	53	65	65	70	70			
		Running Current	A	0.17	0.17	0.17	0.17	0.17	0.17	0.24	0.24	0.29	0.29	0.32	0.32			
	Dimension	Height	mm	250	250	250	250	265	265	292	292	330	330	330	330			
		Width	mm	710	710	710	710	790	790	920	920	1080	1080	1080	1080			
		Depth	mm	190	190	190	190	195	195	225	225	225	225	225	225			
	Weight		kg	8	8	8	8	9	9	13	13	17	17	17	17			
	System Operation Control		Wireless Control with LCD Display															
Outdoor Unit	Power Supply		V/Ph/Hz	220-240/1/50														
			Ph	1			1			1			1			1		
	Compressor	Qty		1	1	1	1	1	1	1	1	1	1	1	1			
		Compressor Type		Rotary									Scroll					
	Dimension	Height	mm	535	535	535	535	540	540	540	540	695	695	695	695			
		Width	mm	700	700	700	700	780	780	780	780	845	845	845	845			
		Depth	mm	235	235	235	235	250	250	250	250	335	335	335	335			
	Weight		kg	25.5	26	26.5	28.5	34	35	37	40	56	60	66	67			
	Piping	Type		Flare + Nuts														
		Pipe Size	Suction	inch	3/8	3/8	3/8	3/8	1/2	1/2	1/2	1/2	5/8	5/8	5/8	5/8		
Liquid			inch	1/4	1/4	1/4	1/4	1/4	1/4	1/4	1/4	3/8	3/8	3/8	3/8			

Remark : The above design and specifications are subject to change without prior notice for product improvement.

TECHNICAL SPECIFICATIONS

Technical Specifications : Everest RLCA-RLHA “R22” -60Hz

Models		Indoor Unit	RLEA-RLKA															
			RLEA07	RLKA07	RLEA09	RLKA09	RLEA12	RLKA12	RLEA18	RLKA18	RLEA24	RLKA24	RLEA30	RLKA30				
Power Supply		Outdoor Unit	RLDA-RLJA															
			RLDA07	RLJA07	RLDA09	RLJA09	RLDA12	RLJA12	RLDA18	RLJA18	RLDA24	RLJA24	RLDA30	RLJA30				
Power Supply		V/Ph/Hz	220-230/1/60															
		Ph	1			1			1			1			1			
Power Consumption		kW	0.71	0.71	0.95	0.95	1.21	1.21	1.95	1.95	2.67	2.67	3.4	3.4/3.4				
Running Current		A	3.2	3.2	4.5	4.5	5.5	5.5	8.9	8.9	12.1	12.1	15.4	15.4/15.4				
Refrigerant Type		R22																
Refrigerant Charge		gr	530	590	630	650	780	1050	1180	1450	1450	1900	1900	1950				
Noise level	Indoor	dB(A)	35/32/30	35/32/30	35/32/30	35/32/30	37/32/28	37/32/28	42/40/38	42/40/38	48/45/42	48/45/42	50/47/44	50/47/44				
	Outdoor		52	52	52	53	56	56	56	56	58	58	60	60				
Indoor Unit	Power Supply		V/Ph/Hz	220-230/1/60														
			Ph	1			1			1			1			1		
	Fan	Air flow	m ³ /h	400	400	400	400	580	580	800	800	1080	1080	1150	1150			
		Input Power	W	31	31	31	31	31	31	53	53	150	150	75	75			
		Running Current	A	0.14	0.14	0.14	0.14	0.14	0.14	0.24	0.24	0.68	0.68	0.34	0.34			
	Dimension	Height	mm	250	250	250	250	265	265	292	292	330	330	330	330			
		Width	mm	710	710	710	710	790	790	920	920	1080	1080	1080	1080			
		Depth	mm	190	190	190	190	195	195	225	225	225	225	225	225			
	Weight		kg	8.5	8.5	8.5	8.5	9.0	9.0	13	13	17	17	17	17			
	System Operation Control		Wireless Control with LCD Display															
Outdoor Unit	Power Supply		V/Ph/Hz	220-230/1/60														
			Ph	1			1			1			1			1		
	Compressor	Qty		1	1	1	1	1	1	1	1	1	1	1	1			
		Compressor Type		Rotary									Scroll					
	Dimension	Height	mm	535	535	535	535	540	540	540	540	695	695	695	695			
		Width	mm	700	700	700	700	780	780	780	780	845	845	845	845			
		Depth	mm	235	235	235	235	250	250	250	250	335	335	335	335			
	Weight		kg	27	28	32	30	34	36	37	40	58	60	66	67			
	Piping	Type		Flare + Nuts														
		Pipe Size	Suction	inch	3/8	3/8	3/8	3/8	1/2	1/2	1/2	1/2	5/8	5/8	5/8	5/8		
Liquid			inch	1/4	1/4	1/4	1/4	1/4	1/4	1/4	1/4	3/8	3/8	3/8	3/8			

Remark : The above design and specifications are subject to change without prior notice for product improvement.

DECLARATION OF CONFORMITY



DECLARATION OF CONFORMITY

Type of Equipment Air Conditioners
Brand Name YORK
Type Designation HAEA-HADA07/09/12FS, HAEB-HADB07/09/12FS, HAEC-HADC07/09/12FS, HAKA-HAJA07/09/12FS, HAKB-HAJB07/09/12FS, HAKC-HAJC07/09/12FS, HEEB-HEDB07/09/12/18/24/30FS, HEKB-HEJB07/09/12/18/21/24/30FS, HLEA-HLDA07/09/12/18/24FS, HLCA-HLHA24/28FS, HMEA09MC/MD/ME, HMDA18MC, HMDA21MD, HMDA27ME, HMKB09MC/MD/ME/MF, HMKB12MD/MF, HMJB18MC, HMJB21MD, HMJB27ME, HMJB30MF, HRKB09AB/AG/AH, HRKB12AG, HRJB18AB, HRJB21AG, HRJB27AH, HRKA09AB, HRJA18AB, HSKB-HSJB07/09/12/18/24FS, HTEA-HTDA18/21/24/30FS, HVKA-HVJA09/12/21/24AS, HVKC-HVJC07/09/12DS, HVKC-HVJC18AS, PECA09/12FD, PECB09/12/14FS, PESA09/12FD, PESB09/12/14FS, PLCA09FC/FD, PLCB09FC/FD, PLSA09FC/FD, PLSB09FC/FD
Application of Council Directive (s) MACC-MAHC07/09/12/18/24FS, MECB-MEHB07/09/12/18/24FS, MLCA-MLHA07/09/12/18/24FS, MLCB-MLHB07/09/12/18/24FS, RACC-RAHC07/09/12/18/24/28FS, RLCB-RLHB07/09/12/18/24/28FS, RLCA-RLHA07/09/12/18/24/30FS, RTCA-RTHA/18/24/30RS/OS, EMC Directive 89/336/EEC, Low Voltage Directive 73/23/EEC and Machine Safety Directive: MSD 98/37/CE

The following harmonized standards have been applied:

Standard (s)

EN 60335-2-40/A1:2000
EN 60335-2-40/A1:2000
EN 55014-1:2000/A2:2002
EN 55014-2:1997/A1:2001
EN 55022:1998/A1:2000
EN 61000-3-2:2000
EN 61000-3-3:1995/A1:2001
EN 61000-3-11:2000
EN 60825
EN 60335-1:1994+A11:1995+A1, A12:1996+A13, A14:1998+A15, A2:2000+A16:2001
EN 60335-2-40:1997+A1:2000
EN 55014-1:1993+A1:1997/A2:1999
EN 55104-2:1997
EN 61000-3-2:1995/A1:1998/A2:1998
EN 61000-3-2:1995/A14:2000
EN 61000-3-3:1995
EN 60335-2-40:2003
EN 50366:2003
EN 60335-1:2002 +A11
EN 55014-1/A2:2002
EN 55104-2/A1:2201

The product complies with the harmonized European safety standards and harmonized EMC standards listed above.

We have internal production control system that ensures compliance between the manufacturer products and the technical documentation.

The product is CE mark.

We declare under our sold responsibility that the equipment follows the provisions Of the Directives stated above.

Authorized Representative:

CM Choi
Shipping Manager

YORK International (Northern Asia) Ltd.

15/F., Tower II, World Trade Square, 123 Hoi Bun Road, Kwun Tong, Kowloon, Hong Kong

Telephone: (852) 2331 9286 Fax: (852) 2331 9840

Technical Service Division: Telephone: (852) 2331 9286 Fax: (852) 2304 0068

INSTALLATION, REMOVAL AND DISPOSAL

This product contains refrigerant under pressure, rotating parts, and electrical connections which may be a danger and cause injury!
All work must only be carried out by competent persons using suitable protective clothing and safety precautions.



Read the Manual



Risk of electric
shock



Unit is remotely controlled and
may start without warning



1. Isolate all sources of electrical supply to the unit including any control system supplies switched by the unit. Ensure that all points of electrical and gas isolation are secured in the OFF position. The supply cables and gas pipework may then be disconnected and removed. For points of connection refer to unit installation instructions.
2. Remove all refrigerant from each system of the unit into a suitable container using a refrigerant reclaim or recovery unit. This refrigerant may then be reused, if appropriate, or returned to the manufacturer for disposal. **Under No circumstances should refrigerant be vented to atmosphere.** Where appropriate, drain the refrigerant oil from each system into a suitable container and dispose of according to local laws and regulations governing disposal of oily wastes.
3. Packaged unit can generally be removed in one piece after disconnection as above. Any fixing down bolts should be removed and then unit lifted from position using the points provided and equipment of adequate lifting capacity. Reference MUST be made to the unit installation instructions for unit weight and correct methods of lifting. Note that any residual or spilt refrigerant oil should be mopped up and disposed of as described above.
4. After removal from position the unit parts may be disposed of according to local laws and regulations.



YORK® International Corporation

