



E-II-YDFC-0907

ENGLISH

INSTALLATION MANUAL

DIGITAL SCROLL SERIES
AIR-CONDITIONER CEILING AND FLOOR TYPE



Models:

YDFC-36C(A/B)15A

YDFC-45C(A/B)15A

YDFC-56C(A/B)15A

YDFC-71C(A/B)15A

YDFC-80C(A/B)15A

YDFC-90C(A/B)15A

YDFC-112C(A/B)15A

YDFC-140C(A/B)15A

For correct installation, read this manual before starting installation.

Only trained and qualified service personnel should install, repair or service air conditioning equipment. Users should not install the air conditioner by themselves.

All pictures are only sketches. If there is any difference between pictures in this manual and the actual shape of the air conditioner you purchased, the actual shape shall prevail.

INSTALLATION PRECAUTION

- To install properly, please read this manual at first.
- The air conditioner must be installed by qualified persons.
- When installing the indoor unit or its tubing, please follow this manual as strictly as possible.
- When all the installation work is finished, please turn on the power only after a thorough check.
- No further announcement if there is any change of this manual caused by product improvement.

Note: The installer should illustrate to users how to correctly use and maintain the air-conditioner, as well as remind users to carefully read and keep both Installation Manual and Owner's Manual well.

INSTALLATION PLACE

■ The Indoor Unit

- There is enough room for installation and maintenance.
- The ceiling is horizontal, and its structure can endure the weight of the indoor unit.
- The air outlet and the air inlet are not impeded, and the influence of external air is the least.
- The air flow can reach throughout the room.
- The connecting pipe and drainpipe could be extracted out easily.
- There is no direct radiation from heaters

▲ Cautions

Location in the following places may cause malfunction of the machine. (If unavoidable, please consult your local dealer.)

- a. There exists petrolatum.
- b. There is salty air surrounding(near the coast).
- c. There is caustic gas(the sulfide, for example) existing in the air (near a hot spring).
- d. The Volt vibrates violently(in the factories).
- e. In buses or cabinets.
- f. In kitchen where it is full of oil gas.
- g. There is strong electromagnetic wave existing.
- h. There are inflammable materials or gas.
- i. There is acid or alkaline liquid evaporating.
- j. Other special conditions.

■ Notes Before Installation

1. Select the correct carry-in path.
2. Move this unit as originally packaged as possible.
3. If the air conditioner is installed on a metal part of the building, it must be electrically insulated according to the relevant standards to electrical appliances.



NOTE:

Remark per EMC Directive 89/336/EEC

For to prevent flicker impressions during the start of the compressor (technical process), following installation conditions apply.

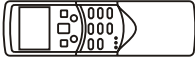
1. The power connection for the air conditioner has to be done at the main power distribution. The distribution has to be of a low impedance, normally the required impedance reaches at a 32A fusing point.
2. No other equipment has to be connected with this power line.
3. For detailed installation acceptance, please refer to your contract with the power supplier if restrictions do apply for products like washing machines, air conditioners or electrical ovens.
4. For power details of the air conditioner, refer to the rating plate of the product.
5. For any question contact your local dealer.

ACCESSORIES


Name of Accessories	Q'ty	Outline	Usage
Owner's manual	1	_____	_____
Installation manual	1	(This manual)	_____
Hook	2		For wall mounting installation
Hanging arm	2		For ceiling installation

Remote controller & Its Frame


1. Remote controller.....1




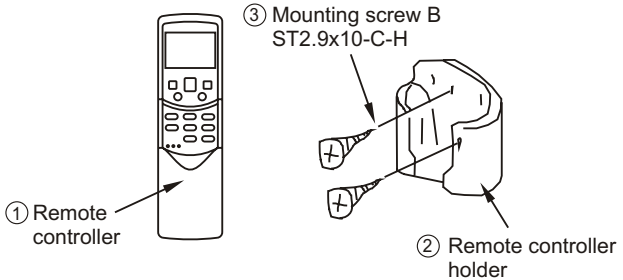
2. Frame.....1



3. Mounting screw
(ST2.9x10-C-H).....2



4. Alkaline dry batteries(AM4)
.....2

Cautions on remote controller installation

- Never throw or beat the controller.
 - Before installation, operate the remote controller to determine its location in a reception range.
 - Keep the remote controller at least 1m apart from the nearest TV set or stereo equipment. (It is necessary to prevent image disturbances or noise interferences.)
 - Do not install the remote controller in a place exposed to direct sunlight or close to a heating source, such as a stove.
- Note that the positive and negative poles are in right positions when loading batteries.

INDOOR UNIT INSTALLATION

Installing 10 hanging screw bolts. (4 bolts)

- Please refer to the following figure for the distance measurement between the screw bolts.
 - Please install with 10 hanging screw bolts.
 - The handling to the ceiling varies from the constructions, consult the construction personnel for the specific procedures.
1. The size of the ceiling to be handled ... do keep the ceiling flat. Consolidate the roof beam for possible vibration.
 2. Cut off the roof beam.
 3. Strengthen the place cut off, and consolidate the roof beam.
- Carry out the pipe and line operation in the ceiling after finishing the installation of the main body. While choosing where to start the operation, determine the direction of the pipes to be drawn out. Especially in case there is a ceiling, position the refrigerant pipes, drain pipes, indoor & outdoor lines to the connection places before hanging up the machine.
 - The installation of hanging screw bolts.

Wooden construction

Put the square timber transversely over the roof beam, then install the hanging screw bolts. (Refer to Chart 1)

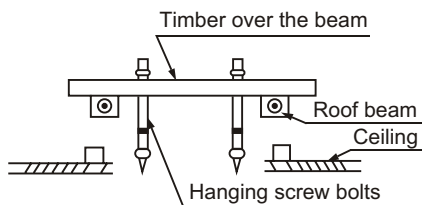


Chart 1

New concrete bricks

Inlaying or embedding the screw bolts. (Refer to Chart 2)



Chart 2

For Original concrete bricks

Use embedding screw bolt, crock and stick harness. (Refer to Chart 3)

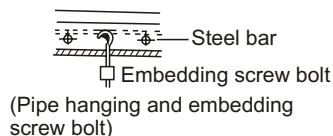


Chart 3

Steel roof beam structure

Install and use directly the supporting angle steel. (Refer to chart 4)

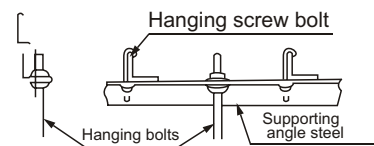


Chart 4

Wall Mounting Installtion

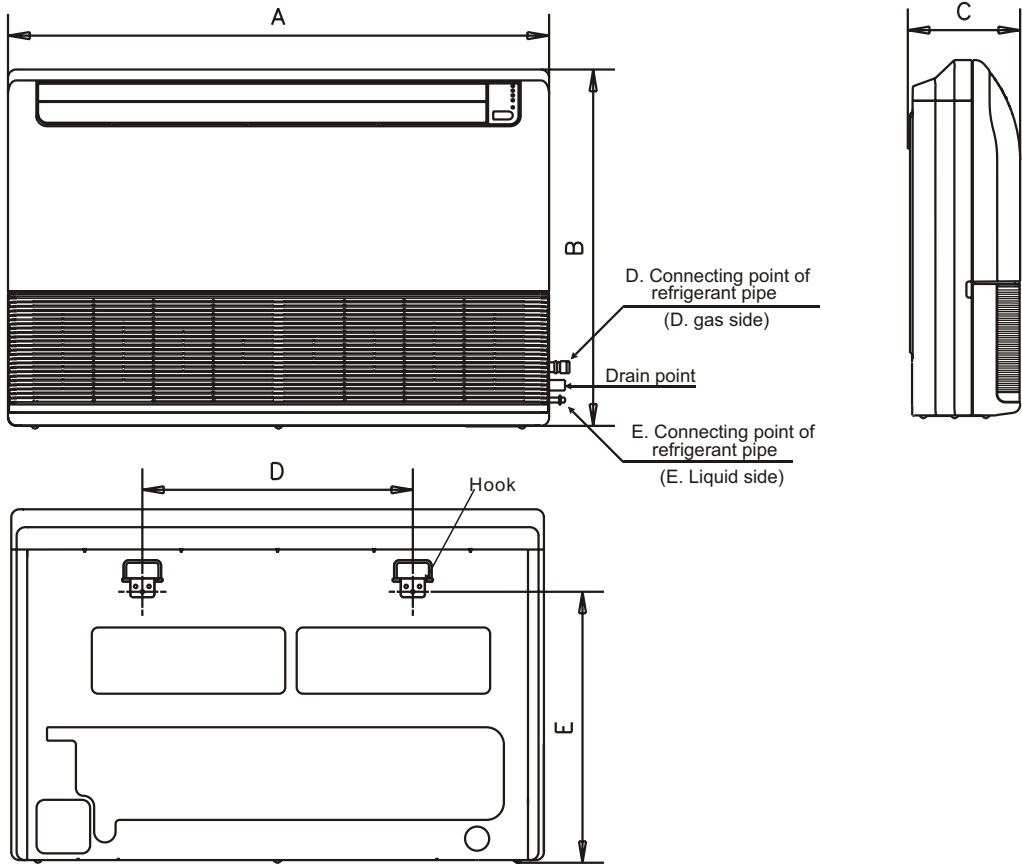


Chart 5

1. Fix the hook with tapping screw onto the wall. (Refer to Chart 6)

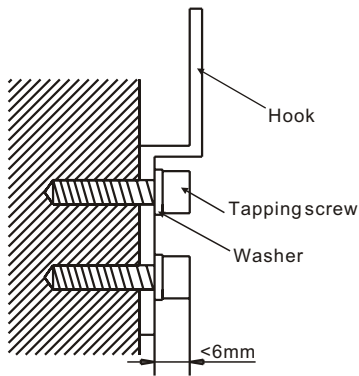


Chart 6

2. Hang the indoor unit on the hook.

Ceiling Installation

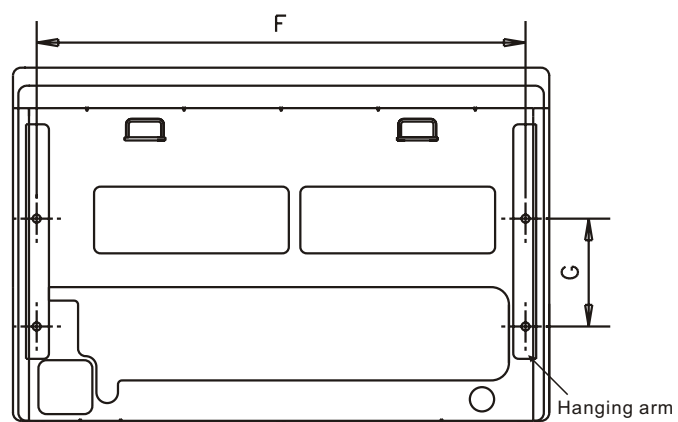
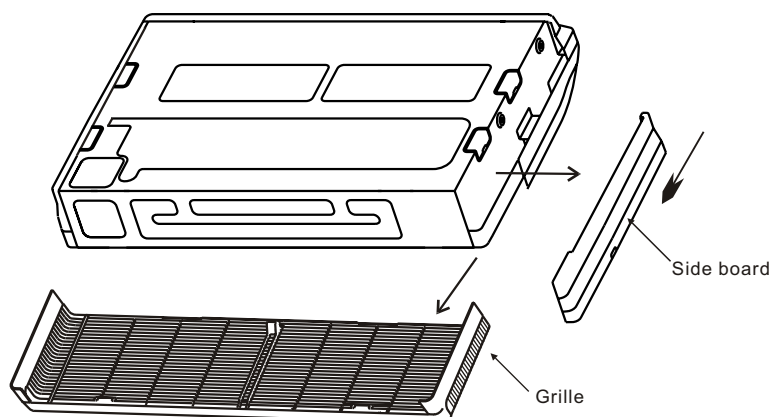


Chart 7

1. Remove the side board and the grille. (Refer to Chart 8)
(For models 11200-14000W type, do not remove the grille.)



2. Locate the hanging arm on the hanging screw bolt. (Refer to Chart 9)
Prepare the mounting bolts on the unit. (Refer to Chart 10)

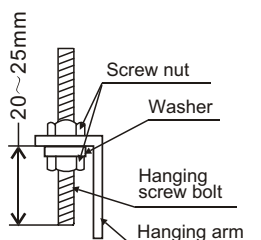


Chart 9

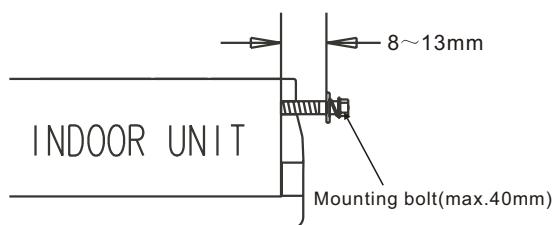


Chart 10

3. Hang the unit on the hanging arm by sliding backward. Securely tighten the mounting bolts on both sides. (Refer to Chart 11)

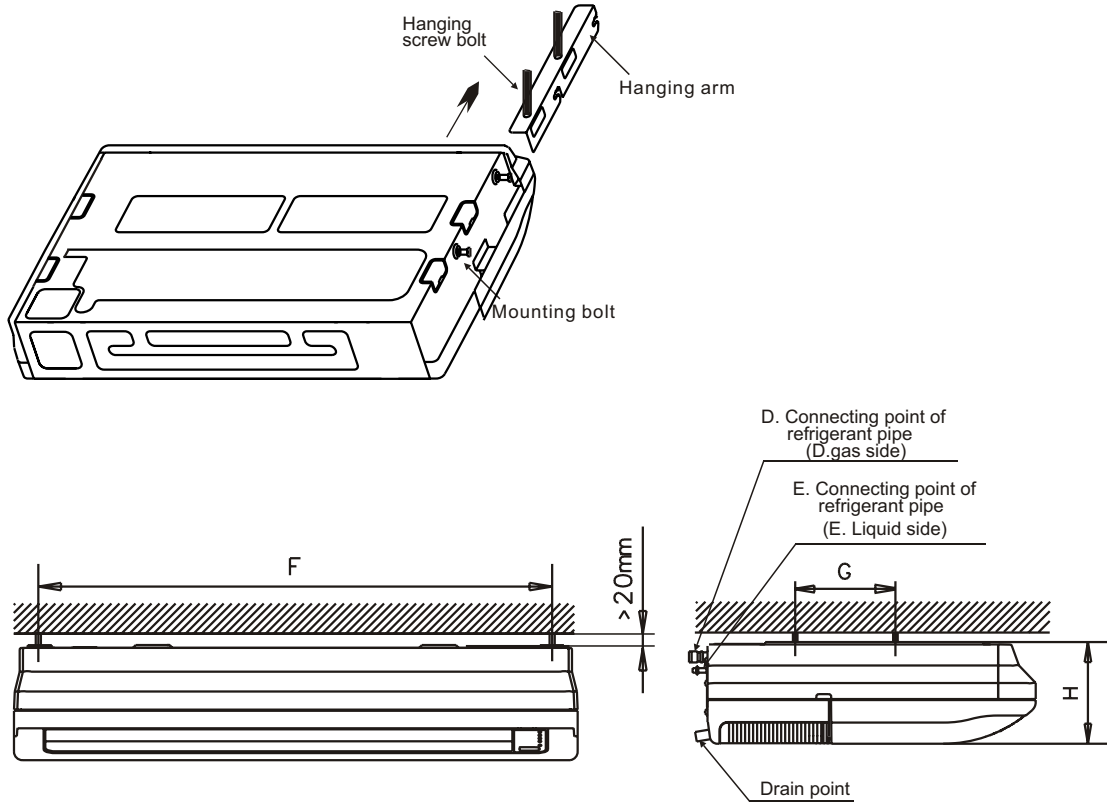


Chart 11

▲ ATTENTION: The figures above are based on model with 3600-7100W type as rated capacity, which may differ from the unit you purchased.

The dimension of the unit

Capacity(W)	A	B	C	D	E	F	G	H
3600-7100W type	990	660	206	505	506	907	200	203
8000-9000W type	1280	660	206	795	506	1195	200	203
11200-14000W type	1670	680	244	1070	450	1542	200	240

INSTALL THE CONNECTING PIPE

- Do not let air, dust, or other impurities fall in the pipe system during the time of installation.
- The connecting pipe should not be installed until the indoor and outdoor units have been fixed already.
- Keep the connecting pipe dry, and do not let moisture in during installation.

The Procedure of Connecting Pipes

1. Measure the necessary length of the connecting pipe, and make it by the following way.

1) Connect the indoor unit at first, then the outdoor unit.

- Bend the tubing in proper way. Don't harm them.

⚠ Cautions

- Daub the surfaces of the flare pipe and the joint nuts with frozen oil, and wrench it for 3~4 rounds with hands before fasten the flare nuts. (Refer to chart 12)
 - Be sure to use two wrenches simultaneously when you connect or disconnect the pipes.
- 2) The stop valve of the outdoor unit should be closed absolutely (as original state). Every time you connect it, first loosen the nuts at the part of stop valve, then connect the flare pipe immediately (in 5 minutes). If the nuts have been loosened for a long time, dusts and other impurities may enter the pipe system and may cause malfunction later. So please expel the air out of the pipe with refrigerant before connection.
- 3) Expel the air (refer to the "Expel The Air") after connecting the refrigerant pipe with the indoor unit and the outdoor unit.
Then fasten the nuts at the repair-points.

■ Notices For Bendable pipe.

- The bending angle should not exceed 90°C
- Bending position is preferably in the bendable pipe. The larger the better it is .
- Do not bend the pipe more than three times.

■ Bend the connecting pipe of small wall thickness.

- Cut out a desired concave at the bending part of the insulating pipe.
- Then expose the pipe(cover it with tapes after bending).
- To prevent collapsing of deforming, please bend the pipe at its biggest radius.
- Use bender to get a small radius pipes.

■ Use the market brass pipe.

Be sure to use the same insulating materials when you buy the brass pipe. (More than 9mm thick)

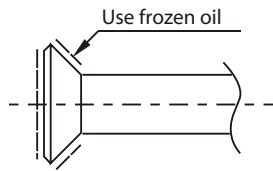


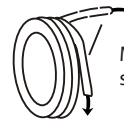
Chart 12

Bend the pipe with thumb



Min-radius 100mm

Chart 13



Make the ends straight

Chart 14

2. Locate The Pipe

- 1) Drill a hole in the wall (suitable just for the size of the wall conduit, 90mm in general), then set on the fittings such as the wall conduit and its cover.
- 2) Bind the connecting pipe and the cables together tightly with binding tapes. Do not let air in, which will cause water leakage by condensation.
- 3) Pass the bound connecting pipe through the wall conduit from outside. Be careful of the pipe allocation to do no damage to the tubing.
3. Connect the pipes.
4. Then, open the stem of stop valves of the outdoor unit to make the refrigerant pipe connecting the indoor unit with the outdoor unit fluently flow.
5. Be sure of no leakage by checking it with leak detector or soap water.
6. Cover the joint of the connecting pipe to the indoor unit with the soundproof/insulating sheath (fittings), and bind it well with the tapes to prevent leakage.

SIZES OF THE PIPES

	R22/R407C	R410A	R410A
Gas	19	12.7	15.9
Liquid	9.53	6.35	9.53
Models	All	36	45-140

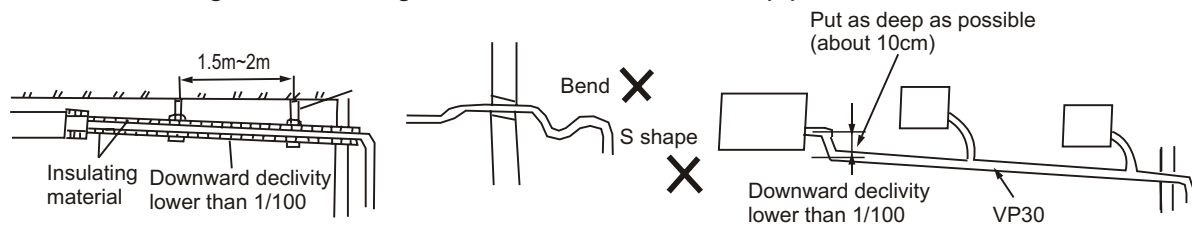
CONNECT THE DRAIN PIPE

1. Install indoor unit drain pipe

The outlet has PTI screw thread, Please use sealing materials and pipe sheath (fitting) when connecting PVC pipes.

CAUTIONS

- The drain pipe of indoor unit must be heat insulated, or it will condense dew, as well as the connections of the indoor unit.
- Hard PVC binder must be used for pipe connection, and make sure there is no leakage.
- With the connection part to the indoor unit, please be noted not to impose pressure on the side of indoor unit pipes.
- When the declivity of the drain pipe downwards is over 1/100, there should not be any winding.
- The total length of the drain pipe when pulled out transversely shall not exceed 20m, when the pipe is over long, a prop stand must be installed to prevent winding.
- Refer to the figures on the right for the installation of the pipes.



2. Drainage test

- Check whether the drainpipe is unhindered
- New built house should have this test done before paving the ceiling.

ELECTRIC WIRING

WARNING

Specified power cables should be used. Do not apply any pressure on the terminals used to connect.

Improper connection may cause fire.



Grounding must be properly done.

The grounding wire should be away from gas pipes, water pipes, telephone, lightning rods or other grounding wires. Improper grounding may cause electric shock.



Electric Wiring must be done by professionals. Use a separate circuit according to national regulations.

If the wiring capacity is not enough, electric shock or fire may occur.



CAUTION

Be sure to Install Current Leakage Protection Switch, Or electric shock may occur.

CAUTION

- Power cord is to be selected according to national regulations.
- Outdoor unit power cord should be selected and connected according to the outdoor unit installation manual.
- Wiring should be away from high temperature components, or the insulation layer of the wires may melt down.
- Use wire clamp to fix the wires and terminal block after connection.
- Control wire should be wrapped together with heat insulated refrigerant pipes.
- Connect the indoor unit to power only after the refrigerant has been vacuumed.
- Don't connect the power wire to the signal wire connection end.

■ The Specification of Power

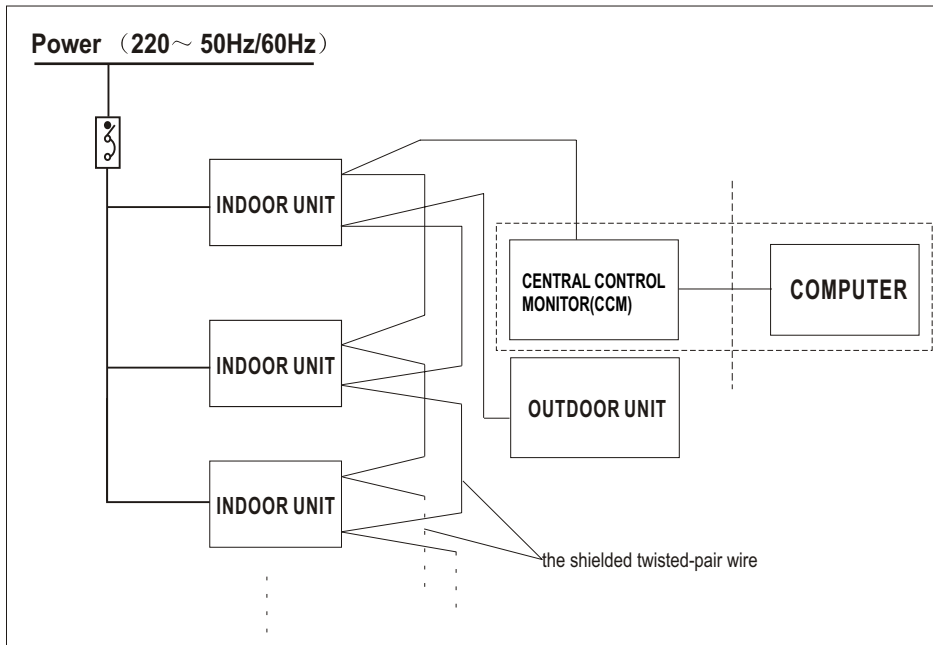
TYPE(W)		2200-14000W type
POWER	PHASE	1-PHASE
	FREQUENCY AND VOLT	220~ 50Hz/60Hz
CIRCUIT BREAKER/FUSE (A)		5/3
INDOOR UNIT POWER WIRING(mm ²)		2.0
INDOOR/OUTDOOR CONNECTING WIRING (mm ²)	GROUND WIRING(mm ²)	2.0
	WEAK ELECTRIC SIGNAL	1.0

Table 3

Caution:

A disconnection device having an air gap contact separation in all active conductors should be incorporated in the fixed wiring according to the National Wiring Regulation.

■ Wiring Chart



Caution:

The reserved function is indicated in broken line table, users can select it when necessary

Indoor/Outdoor Unit Signal Wire

Connect the wire according to their numbers.
Wrong connection may cause malfunction .

Wiring Connection

Seal the wiring connection with the insulation material , or the condensing dew will be caused.

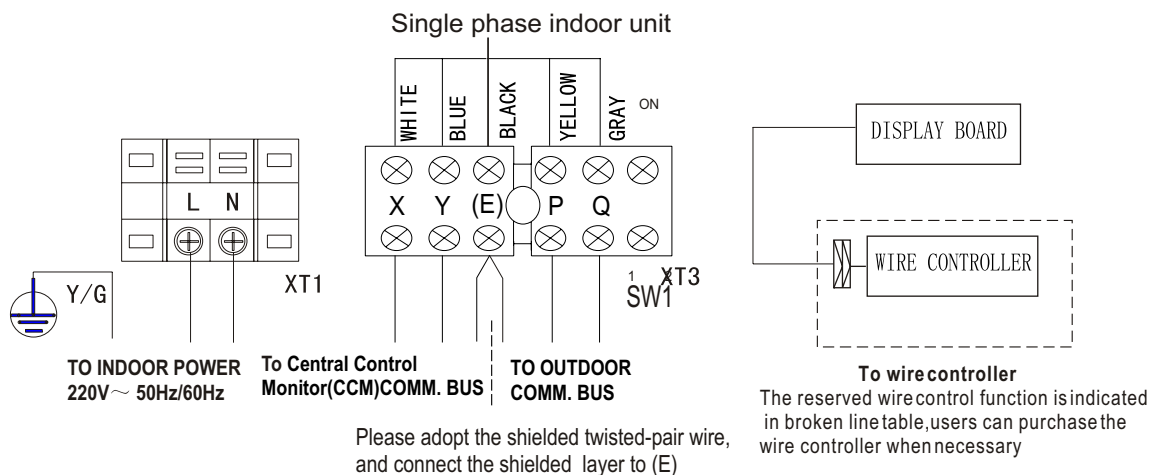
Panel Wiring

Connect the Swing Motor terminal block according to the Panel Installation Manual.

Terminal Board Diagram

Please refer to the indoor unit wiring diagram for the wiring.

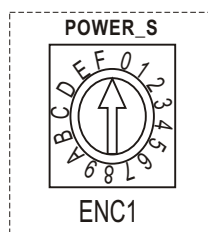
Note: The air-conditioners can connect with Central Control Monitor (CCM). Before operation, please wiring correctly and set system address and network address of indoor units.



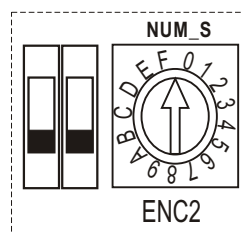
CONTROL

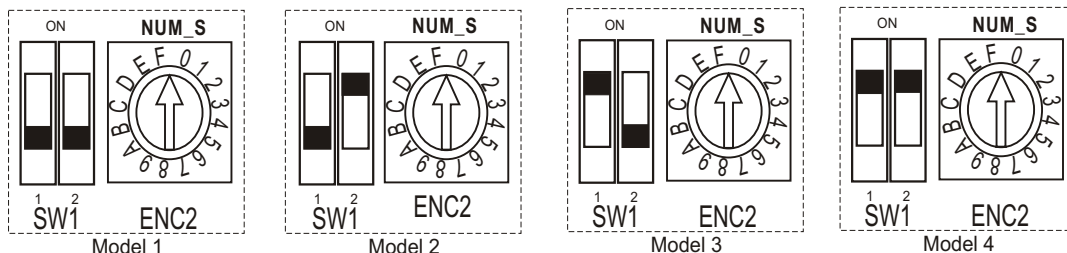
Please number the indoor units during the installation . For example, for the first outdoor unit ,the number of the first indoor unit is 1-1, the second indoor unit is 1-2, and the set address is 1 and 2 respectively , the others is analogical.

Hoursepower code



System address code





Model 1 show the address '0-F' respectively, that is, '0-15' indoor unit;
 Model 2 show the address '0-F' respectively, that is, '16-31' indoor unit;
 Model 3 show the address '0-F' respectively, that is, '32-47' indoor unit;
 Model 4 show the address '0-F' respectively, that is, '48-63' indoor unit.

▲ Cautions:

- 1.The system together have 64units(0-63),everyone has only system addresscode, If two addresses are the same in one system , the abnormal operation will occur.
- 2.Please switch off the power before setting,otherwise the unexpected error will occur.

ENC1	Toggle switch	For set horsepower
	Code	Capacity(Horsepower)
Note: The horsepower has been set before leaving the factory , anyone can' t modify it except the maintenance person.	0	2200W(0.8HP)
	1	2800W(1.0HP)
	2	3600W(1.2HP)
	3	4500W(1.5HP)
	4	5600W(2.0HP)
	5	7100W(2.5HP)
	6	8000W(3.0HP)
	7	9000W(3.2HP)
	8	11200W(4.0HP)
	9	14000W(5.0HP)

ENC2	TOGGLE SWITCH	FOR SETTING ADDRESS
'0-F' show the address '0-F' respectively, that is, '0-15' indoor unit (together 16 units), and the others follow the analogy. If two addresses are the same in one system , the abnormal operation will occur.		

DE - COMMISSIONING DISMANTLING & DISPOSAL

This product contains refrigerant under pressure, rotating parts, and electrical connections which may be a danger and cause injury!

All work must only be carried out by competent persons using suitable protective clothing and safety precautions.



Read the Manual



Risk of electric shock



Unit is remotely controlled
and may start without warning

1. Isolate all sources of electrical supply to the unit including any control system supplies switched by the unit. Ensure that all points of electrical and gas isolation are secured in the OFF position. The supply cables and gas pipework may then be disconnected and removed. For points of connection refer to unit installation instructions.
2. Remove all refrigerant from each system of the unit into a suitable container using a refrigerant reclaim or recovery unit. This refrigerant may then be re-used, if appropriate, or returned to the manufacturer for disposal. **Under No circumstances should refrigerant be vented to atmosphere.** Where appropriate, drain the refrigerant oil from each system into a suitable container and dispose of according to local laws and regulations governing disposal of oily wastes.
3. Packaged unit can generally be removed in one piece after disconnection as above. Any fixing down bolts should be removed and then unit lifted from position using the points provided and equipment of adequate lifting capacity. Reference MUST be made to the unit installation instructions for unit weight and correct methods of lifting. Note that any residual or spilt refrigerant oil should be mopped up and disposed of as described above.
4. After removal from position the unit parts may be disposed of according to local laws and regulations.