



YDS03U-011bW-05117

ENGLISH

OWNER'S MANUAL

DIGITAL SCROLL CENTRAL AIR-CONDITIONER
(INDOOR UNIT)

Please read this installation manual carefully before installing your air conditioner.
Please keep this manual in a safe place for future reference.
This manual may be subject to change without notice for purpose of improvement.

CONTENTS

SAFETY PRECAUTIONS	4
NOTE BEFORE OPERATION	6
CAUTION	8
PART NAMES	9
OPERATION	13
ADJUSTMENT AIR FLOW DIRECTION	15
MAINTENANCE	17
ABNOMAL PHENOMENON	19

1 - SAFETY PRECAUTIONS



- Please thoroughly read this manual to operate the air-conditioner correctly and safety to prevent the damage of the property and the personal hurt.

Before you come to the text, please be familiar with the following markers and icons, and comply with the precautions.

■ Markers

Markers	Indication
WARNING	The sign shows the risk of death or serious injury will be caused due to the wrong operation.
CAUTION	The sign shows the risk of injury or the damage to the property will be caused due to the wrong operation.

■ Icons

Icons	Indication
	FORBID Followed by the detailed illustration
	ENFORCE Followed by the detailed illustration

NOTE :

1. Injury means causing harmed, burned, electrical shocked, but not serious for hospitalization.
2. Damage of property means disrepair of property, material.

WARNING

INSTALLATION WARNING	Installation commitment	Please entrust the dealer or the professional person to do the installation. Users can't install the units by themselves, or the water leakage, electrical shock or fire may be caused.
	Specific products	Please use the specified product. Humidifier and other accessories must be specified, otherwise the water leakage, electrical shock or fire may be caused. Please entrust the professional person to do the installation.
	Protection measures	When installing in a small room, actions should be taken in case the thickness of refrigerant exceeding proper range. Otherwise, it will cause people asphyxia. Please contact the dealer to avoid the asphyxial accident.
	Grounding	Ensure grounding correctly. Defective grounding may cause electrical shock.

**WARNING**









OPERATION WARNING	 FORBID	Do not face the cool wind for a long time. Too low temp. will do harm to the health.
	 FORBID	Never put hands or objects into the air conditioner The fan with the high speed will cause serious injury.
	 Switch off the power	In any abnormal cases, stop the operation, turn off the power and consult the dealer. In the abnormal cases, if keeping on the operation, the fire and electrical shock will be caused.

MOVING AND OPERATION WARNING	 FORBID	Please entrust the dealer or professional person to move and reinstall the air-conditioner. Incorrect installation will cause water leakage, electrical shock or fire.
	 FORBID	Do not maintain the unit by yourself. Incorrect maintenance will cause water leakage, electrical shock or fire.

Installation caution	 Ensure the drainage	Ensure if the drain pipe can drain the water well. Incorrect installation will cause water leakage and humidify the furniture.
	 Creepage protection switch	Ensure the installation of creepage protection switch. The creepage protection switch must be installed. Otherwise, the electric shock will be caused.
	 Ensure the installation place	Never install the air-conditioner in the place where the flammable gas is easy to leak. If the leakage of flammable gas happens, the fire will be caused around the indoor unit.

Operation caution	 Ventilation	Ventilation should be operated regularly when using with the flammable appliance. Insufficient ventilation will cause the lack of oxygen.
	 FORBID	Do not put the flammable appliance near the air outlet. It will cause the flammable appliance burn incompletely.
	 Installation bracket	Ensure whether the installation bracket has been worn out after being used for a long time. In the case of abrasion to put the unit on the bracket will cause the unit falling and cause people injured.

 **WARNING**

Operation caution	 FORBID	Do not wash the air conditioner with water. Electric shock will be caused.
	 FORBID	Do not put animal or plant near the air outlet. It is harm to the animal and plant.
	 FORBID	Do not put the flammable sprayer near the air conditioner or spray the air conditioner directly. The fire will be caused.
	 FORBID	Do not put the container with water on the air conditioner. Immersion of water will reduce the ability of insulation and the electric shock will be caused.
	 FORBID	Do not operate the switch with wet hand. The electric shock will be caused.
	 FORBID	The air conditioner can not be used to conserve food, plant, precision instrument and artworks etc.. It will get the quality worse.
	 Turn off the power	Disconnect the power and stop the operation when repairing. The fan with high speed will cause injury.
	 Use the right fuse	Do not use the fuse whose capacity exceeds the defined value. Using the iron wire or brass wire as fuse can cause the fire and malfunction. The power must use the specified circuit under the rated voltage.

2 - NOTE BEFORE OPERATION



Confirm Before Operation

- Make sure that the ground wire is not broken or fallen off.
- Make sure the air filter is installed.
- Turn on the power switch for 12 hours before the operation.

About Heating Capacity

Heating is that the outdoor unit absorbs the outdoor heat then transmit the heat to the indoor unit. When the heating pump starts, the outdoor unit blows the cold air and the outdoor temp. fall.

Defrosting during the Heating Operation

- Under the heating mode ,when frost generating on the outdoor unit the air conditioner starts defrosting automatically. (About 2~10minutes)
- Indoor/Outdoor fan stops the running during the defrosting.

About 3 Minutes Protection

The outdoor unit would not run within 3 minutes during restarting. This is self-protection of the unit.

About Power Off

- All the operations will stop if there is a power off.
- The buzzer of the display will make a sound and the operation indicator will flash when the power is on after a failure.
- Press ON/OFF button to restart the unit.

About Protection Device

When starting the unit compulsorily while the unit does not prepare for the starting, the on/off indicator lights, the protection device is activated and the unit stops.

Heating Capacity Drop

When the outdoor temp. is low the heating capacity drop, please use the air- conditioner with other heating equipments or purchase the digital scroll central air-conditioner auxiliary heating device.

When the Protection Device is Activated**Cooling Operation**

- The air Intake and the air outlet of the outdoor unit are blocked.
- Strong wind outside is blowing into the air outlet of the outdoor unit.

Heating Operation

- The air filter is too dirty.
- The air intake and the air outlet of the indoor unit are blocked.

Fan Runs after the Indoor Unit Stopped

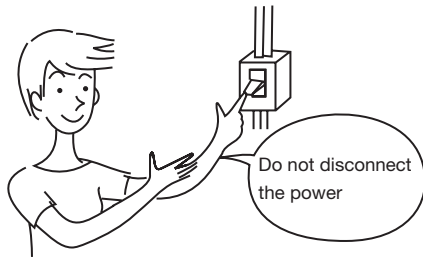
To protect the machine, one of the indoor units, which stops the running while the other indoor units are still running, will run its fan at low speed for 3 minutes every 1 hour on cooling operation or every 4 hours on heating operation.

CAUTION

- Confirm the air filter is installed. The heat exchanger would accumulate dust or leak water without the air filter.
- One indoor unit can run alone, or run with other indoor units, but can not run under heating mode while others run under cooling mode.

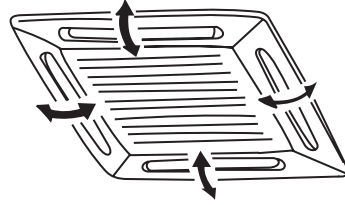
CAUTION

Do not disconnect the power.



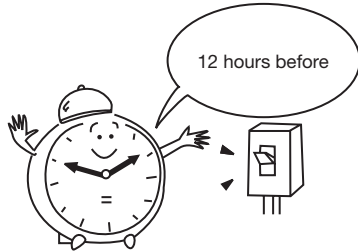
Do not disconnect the power when the unit is in operation. Please control it with the remote controller.

Put the louver horizontally when cooling.



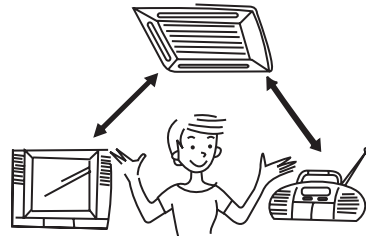
There will be water condensing on the louvers if setting the louvers down when cooling. (Cassette type only)

Connect to the power 12 hours before starting the unit



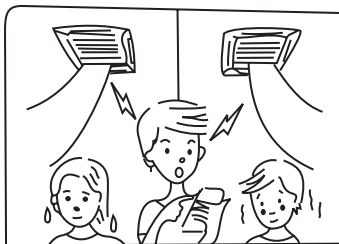
To protect the compressor, please turn on the power switch 12 hours before starting the unit.

Place it away from TV or radio.



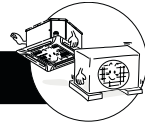
Put the TV or radio away from the air conditioner at least 1 meter, or signal will be interfered.

One of the indoor units can not run on the cooling mode while the other indoor units run on the heating mode.

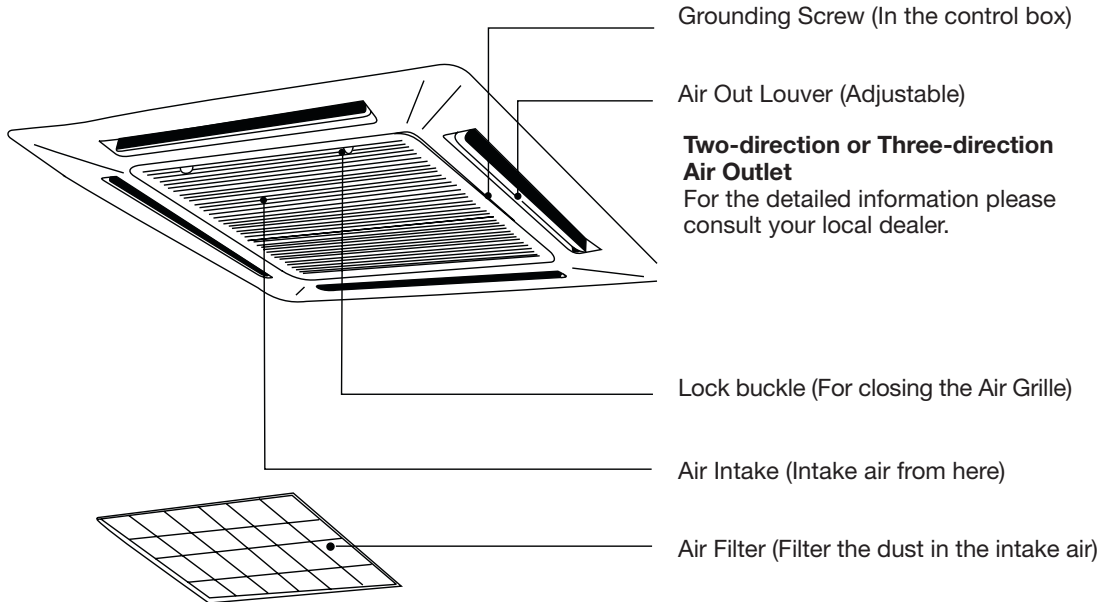


Please run every indoor unit on the same mode.

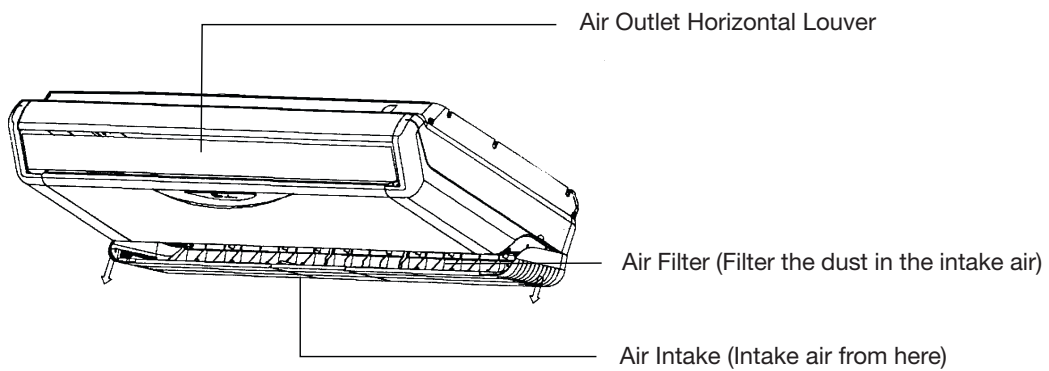
3 - PART NAMES



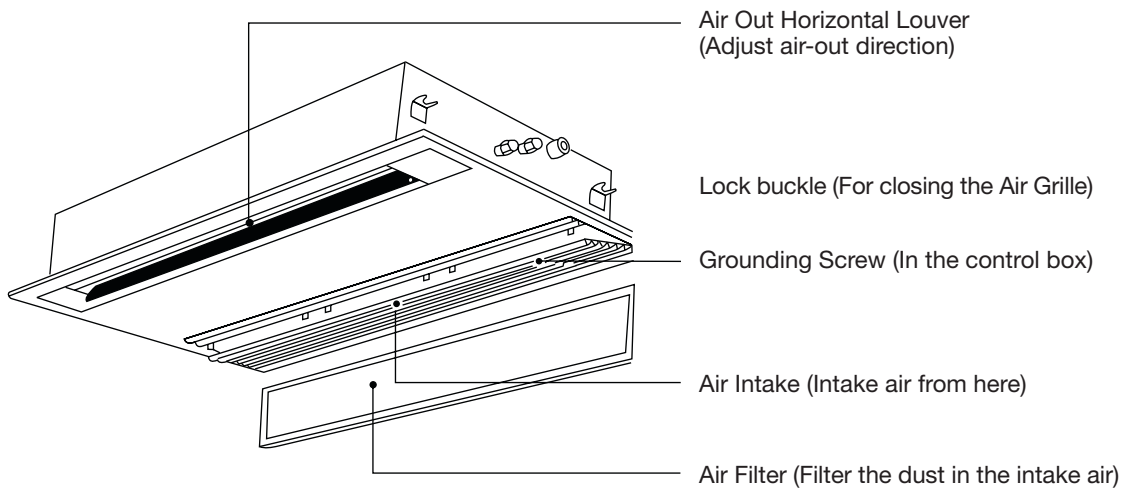
Four-Way Cassette Type



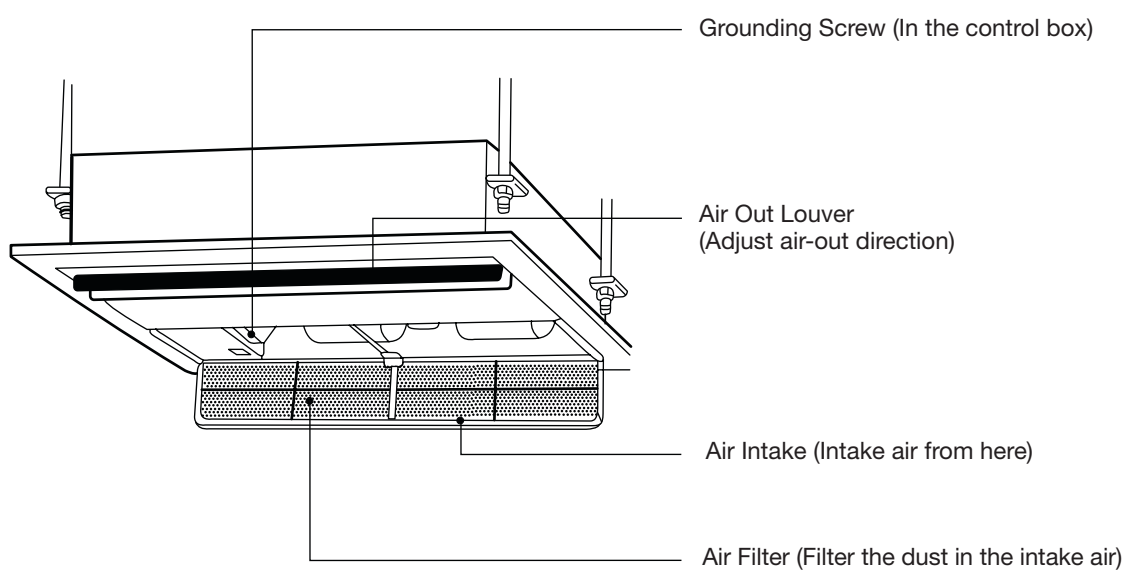
Ceiling-Floor Type



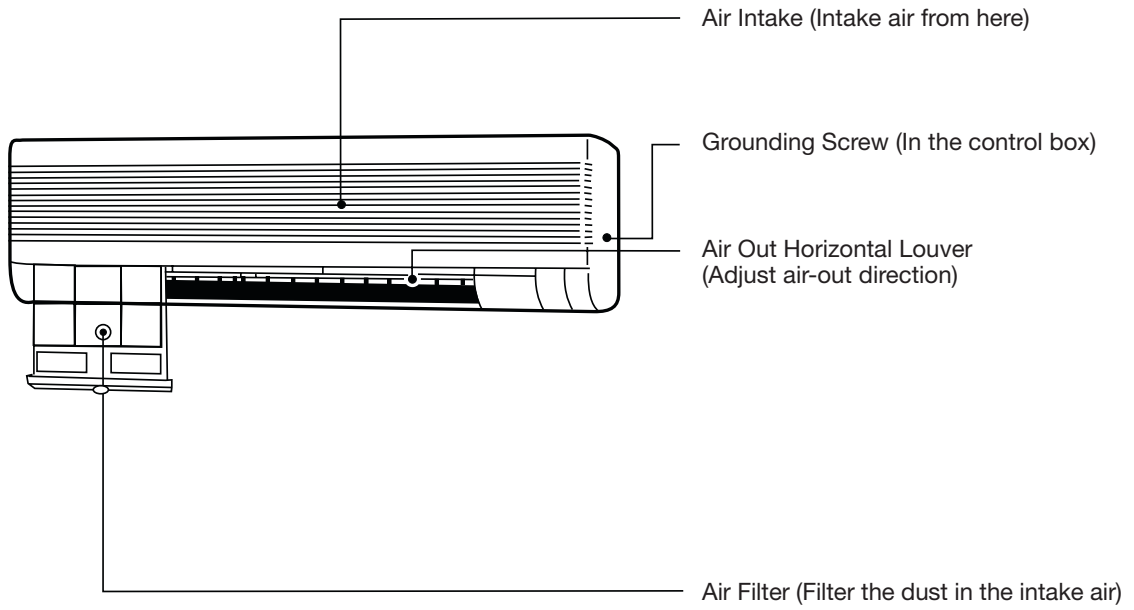
One-way Cassette Type



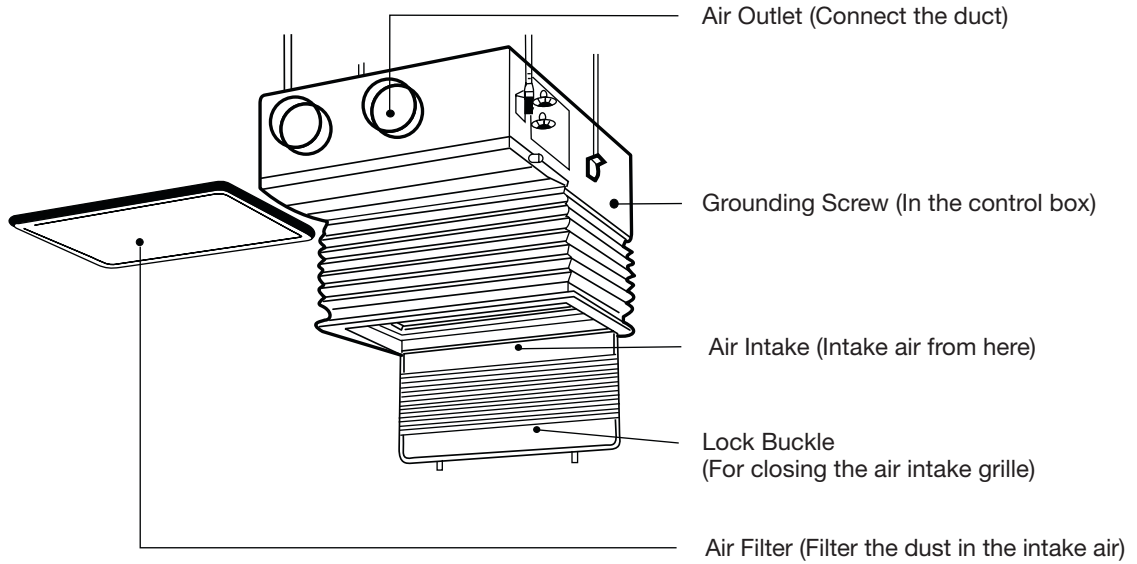
Small One-way Cassette Type



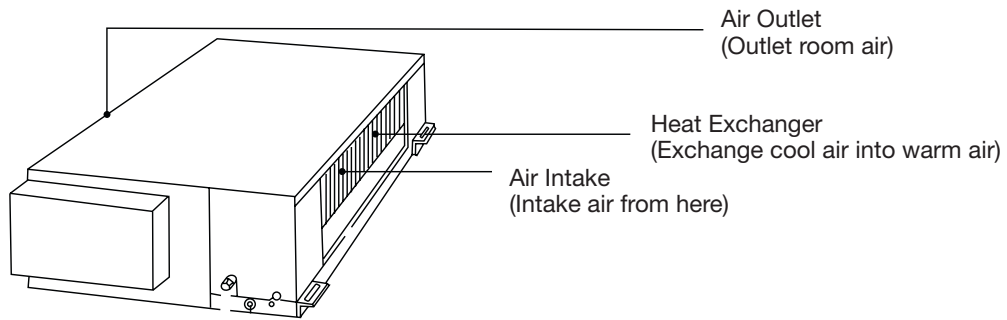
Wall-Mounted Type



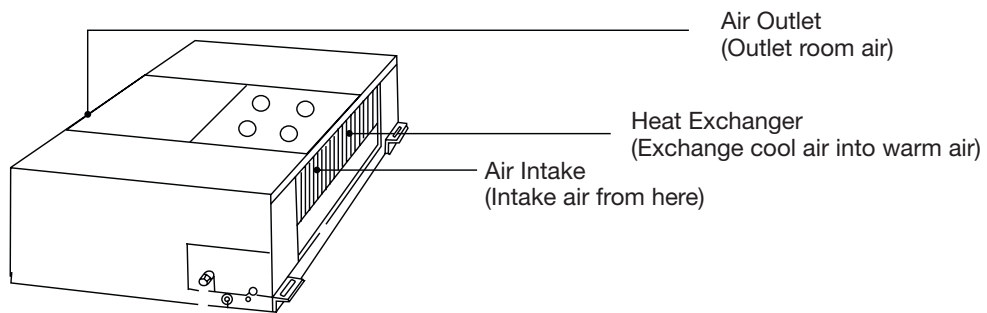
Duct/Ceiling Type



High Static Pressure Type



(Thin) Duct/Ceiling Type



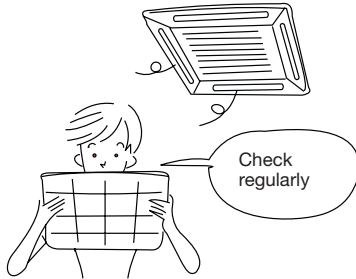
4 - OPERATION AND PERFORMANCE



Please note the following correct operation for saving energy and achieve the quick and comfortable cooling/heating effects.

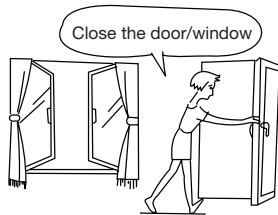
Clean the air filter regularly

The blocked air filter will reduce cooling/heating effects



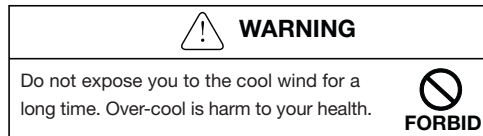
Close the door/window

Do not let the heat/cool air leak from the door/window.



Do not overcool or overheat

The blocked air filter will reduce cooling/heating effects



- Especially for the handicapped, children or old.

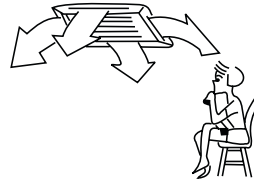
Suggested Temperature

Cooling	26~28°C
Heating	22~24°C



To maintain the comfortable temperature

- Adjust the air-out direction with using the air-out louver.



Meet the following requirements to use the air conditioner correctly.

COOLING	Outdoor Temp.	-5°C ~ 43°C
	Indoor Temp.	21°C ~ 32°C
	Indoor Humidity	Below 80% 80% humidity or above will cause the machine surface condensing dew.
HEATING	Outdoor Temp.	-15°C ~ 21°C
	Indoor Temp.	Below 28°C

Protection device will be activated and the unit stops when the above conditions can not satisfy.

5 - ADJUSTING THE AIR FLOW DIRECTION



Because cold air flow down and hot air flow up, to improve the cooling and heating effect, please adjust air flow louver direction, in result the temperature of the room will be natural and equal and you will feel more comfortable.

NOTE : The heating operation with horizontal air out let will increase the difference of the room temperature.

 Notice	 Notice the louver direction	<p>Choose horizontal outlet mode when cooling operation When the cooling operation ,the air flow down will cause condensing dew on the air outlet and louver surface.</p>
-------------------	--	---

Four-Way Cassette Type

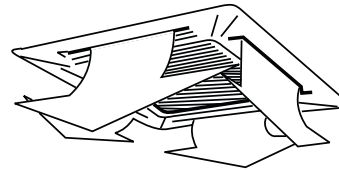
Cooling operation

Adjust the louver horizontally



Heating operation

Adjust the louver down.



- When using the panel with auto.louver, press SWING button, the auto.louver will swing automatically and the best cooling(heating) effects will be achieved.

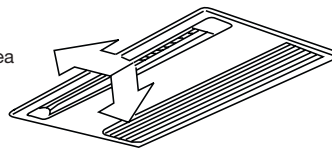
One-Way Cassette Type

Adjust the air direction up and down

Auto-swing

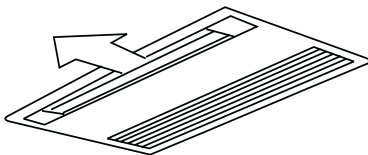
Press SWING button, the louver will swing up and down.

Maximum air circulation area



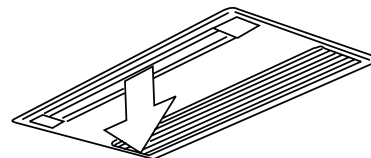
When cooling

Adjust the louver horizontally



When heating

Adjust the louver down. (vertically)



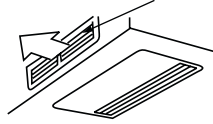
Adjust the air direction left and right

Adjust the blade in side the air outlet louver to the expected direction.
 When the air flow sideways and the air flow parts must be used (sold separately). Please refer to the following figures to adjust the air flow direction.

Adjust the air flow up and down

When cooling

Adjust the louver horizontally
The louver is horizontal



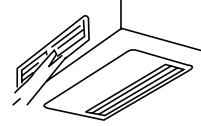
NOTE

1 Please adjust the horizontal louver down when the air flow is down.

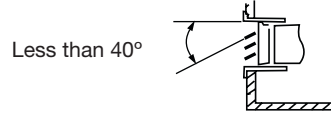


When cooling

Adjust the louver down. (vertically)

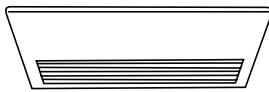
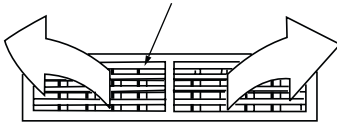


2 The slant angle of horizontal louver must be less than 40°, otherwise the water drop will be caused.



Adjust left and right

Vertical louver



NOTE

When adjusting air flow left /right, refer to the following figures to turn the vertical louver to certain angles, and the angle isn't too big, otherwise the water drop will be caused.



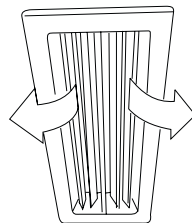
Vertical louver

Duct-Ceiling Type

The following is how to adjust the air flow direction when the air outlet parts (sold separately) is used with the indoor unit.

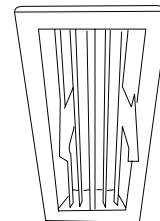
Cooling

To effectively cool the whole room, please adjust the louver horizontally.



Heating

To effectively heat the bottom of the room please set the louver downwards.

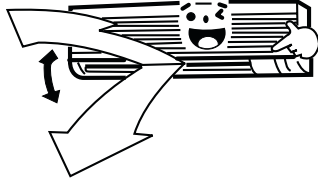


Wall-Mounted Type

Adjust the Air Flow Direction Up and Down

Auto-swing

Press SWING button, the louver will swing up and down automatically.

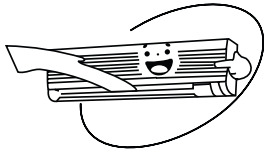


Manual Swing

Adjust the louver to achieve the better cooling/heating effects when cooling/heating.

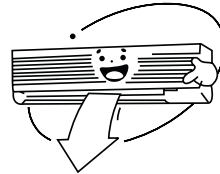
When cooling

Adjust the louver horizontally



When cooling

Adjust the louver downwards (vertically).



CAUTION

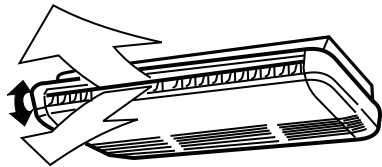
- Water drop may be caused on the surface of the unit or horizontal louver when cooling while the air-out direction is vertically down.
- Indoor temperature will not be even on the heating mode when the air-out direction is horizontal.
- Do not move the horizontal louver with hands, or malfunction may occur. Adjust it with the swing button on the wire controller.

Ceiling-Floor Type

Adjust the air direction up and down

Auto-swing

Press SWING button, the louver will swing up and down automatically.

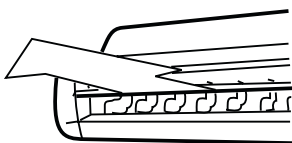


Manual Swing

Adjust the louver to achieve the better cooling/heating effects when cooling/heating.

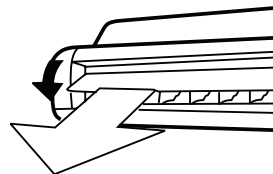
When cooling

Adjust the louver horizontally



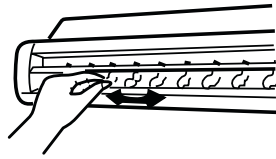
When cooling

Adjust the louver downwards (vertically).



Adjust the Air Flow Direction left and right

Adjust the blade in side the air outlet louver to the expected direction.



6 - MAINTENANCE



CAUTION

- Only the specialized maintenance person can perform the maintenance work.
- The main power switch must be turned off before doing electrical connections or cleaning of air filter.
- Do not use water or air of temperature above 50°C to clean air filter or face panel.

METHOD FOR CLEANING THE AIR FILTER

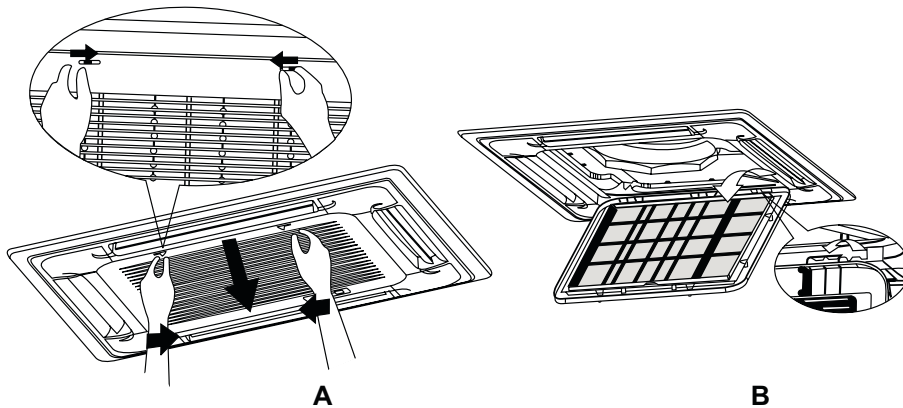
- The air filter can prevent the dust or other particles from going inside. In case of blockage of the filter, the working efficiency of the air conditioner may greatly decrease. Therefore, the filter must be cleaned once two weeks during long time using.
- If the air conditioner is positioned in a dust place, the cleaning frequency of the air filter must be increased.
- If the accumulated dust is too heavy to be cleaned, please replace the filter with a new one(the replaceable air filter is an optional fitting).

1. Take out the air-in grill

- Four- Way Cassette Type

Push the grill switches towards the middle simultaneously as indicated in sketch A. Then pull down the air-in grill. Take out the air-in grill (together with the air filter shown in Sketch B). Pull the air-in grill down at 45 and lift it up to take out the grill.

Cautions: The control box cables, which are originally connected with the main body electrical terminators must be pulled off before doing as indicated above.



- For Duct/Ceiling Type

Push the grill switches to the arrow directions , then open the air-in grill downwards. Turn back the air filter fixing block, then take out the air-in grill.

- For One-Way Cassette Type

Hold the air-in grill switches with hands ,then open the air-in grill downwards , press the lock buckle to take out the air filter.

2. Dismantle the air filter.

3. Clean the air filter(vacuum cleaner or pure water may be used to clean the air filter. If the dust accumulation is too heavy, please use soft brush and mild detergent to clean it and dry out in the cool place).

MAINTENANCE

- The air-in side should face up when using vacuum cleaner.
- The air-in side should face down when using water.

Cautions:

Do not dry out the air filter under direct sunshine or with fire.

For the one-way cassette type , the air filter should be installed before the unit body installation.

4. Re-install the air filter.
5. Install and close the air-in grill in the reverse orders of step 1 and 2 and connect the control box cables to the corresponding terminators of the main body.

CLEANING THE AIR OUTLET AND THE PANEL

- Use a dry and soft cloth to wipe it.
- Pure water or mild detergent may be used if it is very dirty.

CAUTIONS

- Do not use benzene, thinner, polishing power, or similar solvents for cleaning. These may cause the surface to crack or deform.
- To avoid the risk of electrical shock or fire, do not let water fall into the indoor unit.
- Never wipe the air flow louver violently.
- An air conditioner without air filter can not expel the dust out of the room, which would cause malfunctions by accumulation.

MAINTENANCE OF THE OUTDOOR UNIT

1. Injures may happen by improper operations because of the sharp blade of some plates and the freezer.
2. Check the air outlet and the air inlet of the outdoor unit regularly to ensure that they are not choked by filth or soot.
3. The coil and other parts of the outdoor unit should also be checked regularly. Please contact with your local dealer.

IF YOU DO NOT PLAN TO USE THE UNIT FOR A LONG TIME

- Operate the fan for about half a day to dry the inside of the unit.
- Turn off the unit with the "ON/OFF" button on the remote controller, then disconnect the power.

NOTE

- When the power switch is connected, some energy will be consumed, even if the unit is not in operation. So please disconnect the power to save energy.
- A degree of filth will be accumulated due to certain performance after several seasons of operation. So special maintenance is advised.
- Take out of the batteries from the remote controller.

RESTART AFTER A LONG TIME

1. Check before operation

- Check the air outlets or inlets of the indoor/ outdoor unit are not blocked.
- Check the grounding wire is not broken off and is connected well.

2. Restore the air filter and the front panel

The air filter and the front panel must be fixed to the original position after having been cleaned.

3. Connect the main power switch

To protect the air conditioner, power should be provided 12 hours before operation. Then the OPERATION lamp on the control box of the indoor unit will flash once a second.

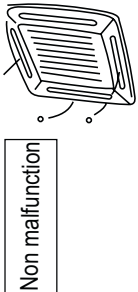
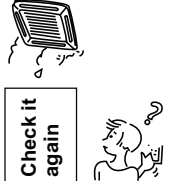

MIDEA DIGITAL SCROLL CENTRAL AIR-CONDITIONER AUXILIARY HEATING EQUIPMENT

In winter, due to the difference of the area and building construction, please purchase the indoor unit with auxiliary heating to enlarge the heating capacity. When turning to the heat mode the air-conditioner with auxiliary heating will run at the set temp. It's no need to install auxiliary heating equipments on site for 4-way cassette type and duct/ceiling type (with auxiliary heating).

7 - ABNORMAL PHENOMENON



Please read the following illustration before applying for the service:

TROUBLES	CAUSES
<p>From outdoor unit</p> <ul style="list-style-type: none"> • white cold fog and condensing dew. • hiss and poop are heard. 	<ul style="list-style-type: none"> • Fan function stop automatically to defrost. It is the start and stop sound of the electromagnetic valve.
<p>From indoor unit</p> <ul style="list-style-type: none"> • Hiss for once.  <ul style="list-style-type: none"> • Abnormal smell blown out. • Operation lamp flashes. • Noise, hydrometeor and cold air appear when the running stops. 	<ul style="list-style-type: none"> • At the beginning and ending of the running process, sounds like water flow in valve appears, and be enhanced at the first 2~3 minutes, this is refrigerant flow sound. • Slight hiss and poop are caused by mild flexing of the heat exchanger as temperature changes. • Pieces of the wall, carpet, furniture, cloth, cigarette and cosmetics adhere to the unit. • Connect to the power after the power cut. • Other equipments heating process stops the cooling operation. • The operator sets an opposite mode against the fixed cooling and heating mode. • The refrigerant will suddenly move to avoid resorting in the indoor unit, then caused kak sounds. Hydrometeor or cold air appears when other indoor unit is heating or cooling. • The sound of the expansion valve when supplied power.
<p>Stop operation automatically</p>	<ul style="list-style-type: none"> • If the timer reached the set time.
 <ul style="list-style-type: none"> • No operation. 	<ul style="list-style-type: none"> • If no power. • If the fuse is blown. • If starting the protection device (the operation lamp lights). • If the timer is on the set time. • If choosing the cooling and heating simultaneously.
 <ul style="list-style-type: none"> • Insufficient cooling • Insufficient heating 	<ul style="list-style-type: none"> • If the outdoor unit air inlet or outlet is blocked. • If the doors and windows are open. • If the dust filter is choked by collective dust. • If the air louver is in the right place. • If the fan speed is shifted in low or if the shift is under FAN mode. • If the setting temperature is appropriate.

If the air- conditioner is found any failures as mentioned below, please turn off the power immediately. Then contact the local dealer.

- ON/OFF operation is not valid.
- Fuse or leakage protector frequently blown.
- Some matter or water falls into the unit.
- Still no operation after checking the protector(P4).
- Quite different from other indoor unit or ordinary state.

DE - COMMISSIONING DISMANTLING & DISPOSAL

This product contains refrigerant under pressure, rotating parts, and electrical connections which may be a danger and cause injury!

All work must only be carried out by competent persons using suitable protective clothing and safety precautions.



Read the Manual



Risk of electric shock



Unit is remotely controlled
and may start without warning

1. Isolate all sources of electrical supply to the unit including any control system supplies switched by the unit. Ensure that all points of electrical and gas isolation are secured in the OFF position. The supply cables and gas pipework may then be disconnected and removed. For points of connection refer to unit installation instructions.
2. Remove all refrigerant from each system of the unit into a suitable container using a refrigerant reclaim or recovery unit. This refrigerant may then be re-used, if appropriate, or returned to the manufacturer for disposal. **Under No circumstances should refrigerant be vented to atmosphere.** Where appropriate, drain the refrigerant oil from each system into a suitable container and dispose of according to local laws and regulations governing disposal of oily wastes.
3. Packaged unit can generally be removed in one piece after disconnection as above. Any fixing down bolts should be removed and then unit lifted from position using the points provided and equipment of adequate lifting capacity. Reference MUST be made to the unit installation instructions for unit weight and correct methods of lifting. Note that any residual or spilt refrigerant oil should be mopped up and disposed of as described above.
4. After removal from position the unit parts may be disposed of according to local laws and regulations.



YDS03U-011bW-05117

ENGLISH