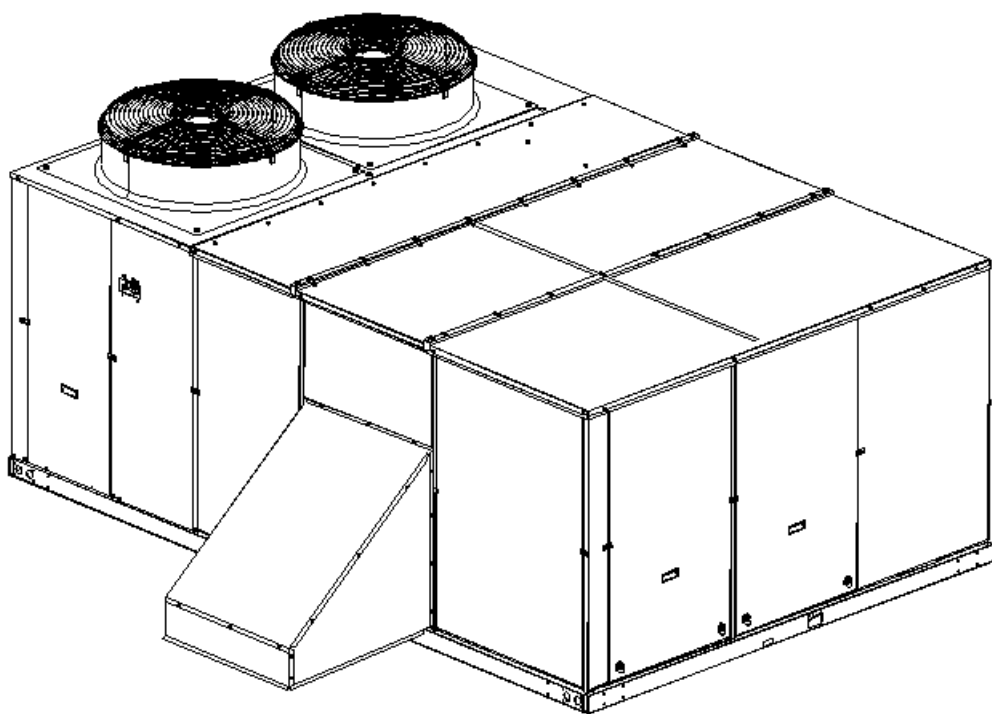




BY JOHNSON CONTROLS

# Exhaust fan for ROOF TOP ACTIVA 045-090



Options and Accessories, Installation manual

Ref.: N-40322\_EN 0809



## Index

1	Exhaust fan for ROOF TOP ACTIVA 045-090.....	1
1.1	Assembly.....	2
1.2	List of components.....	3
1.3	Installation.....	4
1.4	Wiring diagram.....	6

1

---

**Exhaust fan for ROOF TOP ACTIVA  
045-090**



- |                        |                   |
|------------------------|-------------------|
| 1. Panel               | 7. Extraction     |
| 2. Fan                 | 8. Return         |
| 3. Louvre support      | 9. 4x1.5 cable    |
| 4. Overpressure louvre | A. Bolts          |
| 5. Rain protection     | B. Front closures |
| 6. Outdoor air         |                   |

## 1.2 List of components

This accessory consists of the components indicated in the table.

Pos.	Description	Qty.
1	Panel (with insulation)	1
2	Fan diameter 630, IP65 protection, Class F insulation	1
3	Louvre support	1
4	Overpressure louvre	1
5	Rain protection	1
7	Rubber sealing strip	3.5 m
8...11	4x1.5 cable	1
–	M10 hardware to secure fan (bolt + nut + washers)	16
12-13	Louvre securing hardware (plate bolt-washer)	4
14	Plate bolt (rain protection fixture)	14
15	Plate bolt (grille fixture)	10
16-17	PG-13.5 packing gland	1
18	Caution label	1
20	Connection cable	1
Exhaust fan kit for ROOF TOP ACTIVA 045-090		

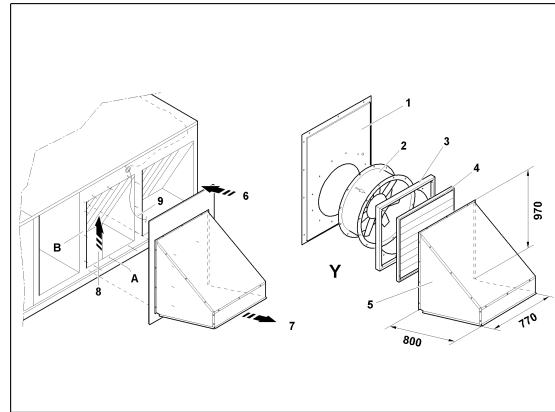
## 1.3 Installation

### Installation in unit with lower return duct

The exhaust fan assembly is supplied factory-fitted for this type of installation.

Remove and dispose of the original side panel on the unit. To do so, loosen the screws **-A-** and the front closures **-B-**.

Separate the rain protection **-5-** from the panel **-1-**.

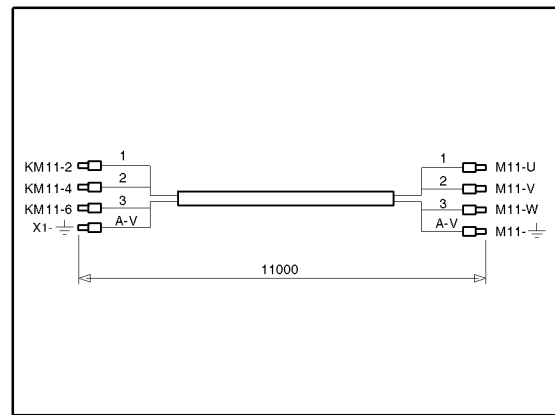


Make the electrical connections according to the diagram.

Run the connection cable to the electrical box along the route of the economiser cables.

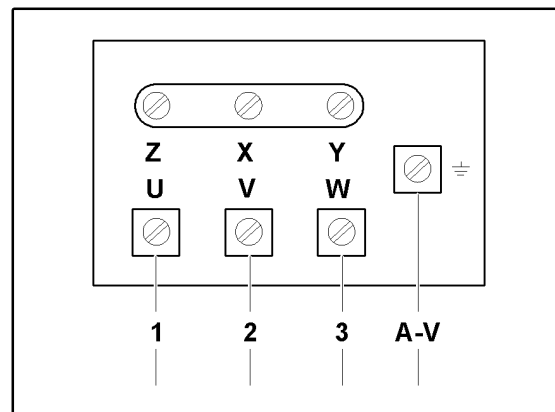
KM11: Box side.

M11: Motor side.

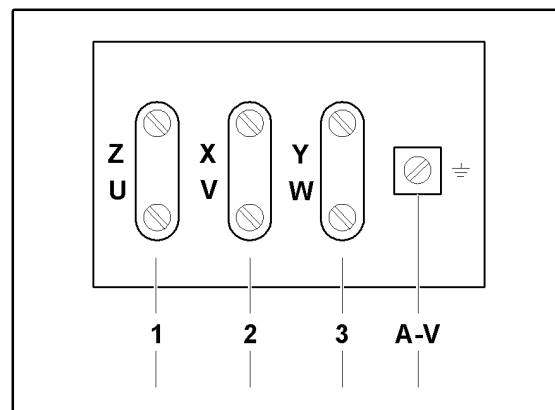


If the fan does not turn in the correct direction, switch the position of cables 1 and 2 on its motor.

- Models 045/060. Star connection.



- Models 075/090. Delta connection.



Place the exhaust fan assembly in the space occupied by the original panel.

Secure using the screws **-A-** and the front closures **-B-**.

Refit the rain protection **-5-**.

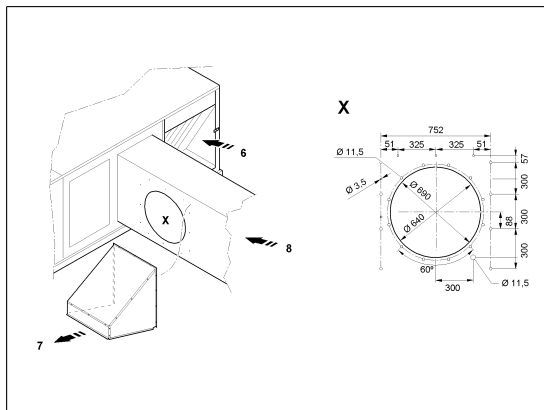
**Installation in unit with side return duct**

Separate the components according to close-up **-Y-**.

Make the installation holes in the front side of the duct as close as possible to the unit, according to close-up **-X-** (use panel **-1-** as a template).

Fit the rubber strip continuously around the panel **-1-** where it rests on the rain protection plate **-5-**.

Dispose of panel **-1-** and position the components, fitting them with the original screws.



**NOTE**

*Assembly weight (without panel -1-):*

- Models 045-060: 54 kg.
- Models 075-090: 63 kg.

**Close-up of connections in the electrical box**

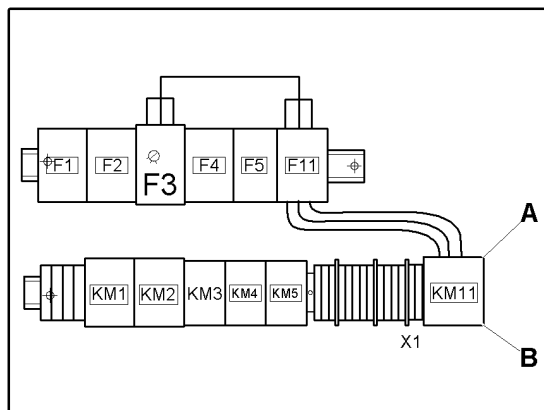
A: A1 to X2-7

B: A2 to X2-B

Connect the exhaust fan cables to contactor KM-11, terminals 2, 4 and 6.

Adjust motor trip switch F11:

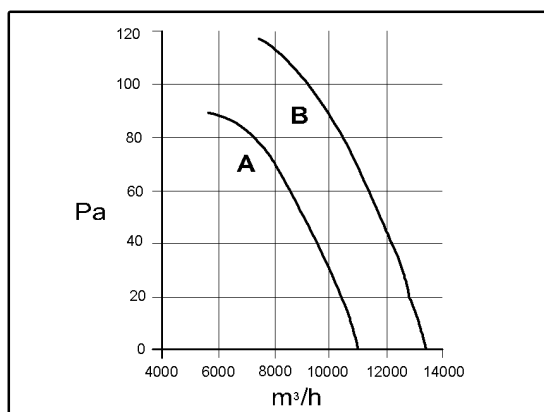
- Models 045/060: 1.4 A.
- Models 075/090: 3 A.



**Fan diagram**

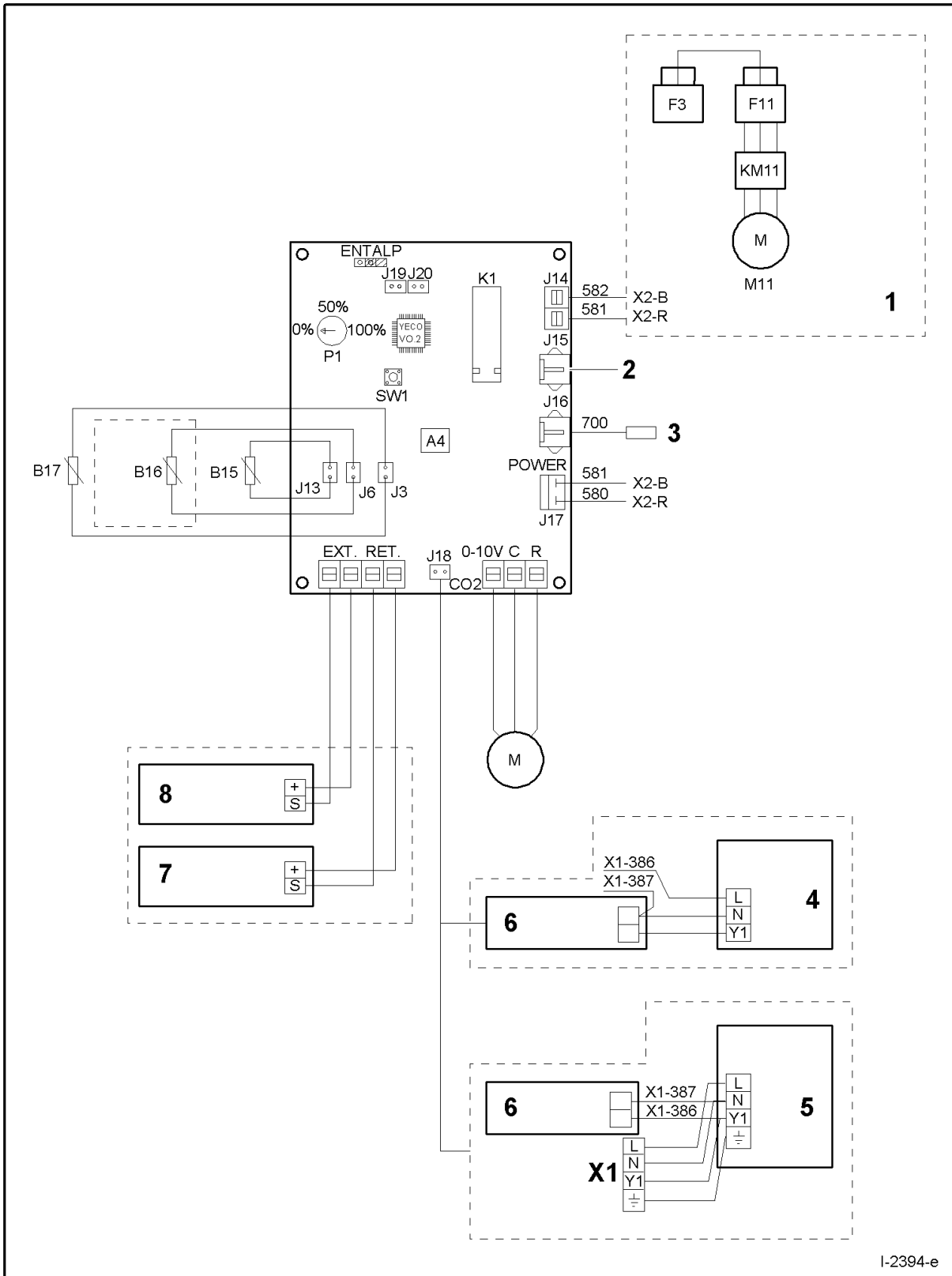
A: Models 045-060, rated power 0.46 kW.

B: Models 075-090, rated power 0.86 kW.



1.4 Wiring diagram

# 1.4 Wiring diagram





1.	F11	Optional <ul style="list-style-type: none"> <li>Models 045/060: Reg. 1.4 A.</li> <li>Models 075/090: Reg. 3 A.</li> </ul>
	KM11	A1 to X2-7 (Cable 583)
		A2 to X2-B
	M11	Exhaust fan
	X2-R	24 VAC Phase-R switching
X2-7	To A1 from KM11	
2.	Accessories	
3.	Accessories	
4.	Air quality sensor, optional, fitted on return (inside machine)	
	L	Black
	N	Blue
	Y1	Brown
5.	Air quality sensor, optional, fitted on ambient (machine exterior)	
	L	Black
	N	Blue
	Y1	Brown
	⊕	Yellow-Green
6.	Air quality board (green)	
7.	Enthalpy sensor C7400A return, optional	
	+	Red
	S	White
8.	Enthalpy sensor C7400A outside, optional	
	+	Red
	S	White
B15	Return sensor (black)	
B16	Discharge sensor, optional depending on model (yellow)	
B17	Inside sensor (white)	
M10	Damper	
	0-10 V	Grey
	C	Black
	R	Red
X1	Cables to be installed on site (not supplied)	

Data and measurements subject to changes without prior notice.