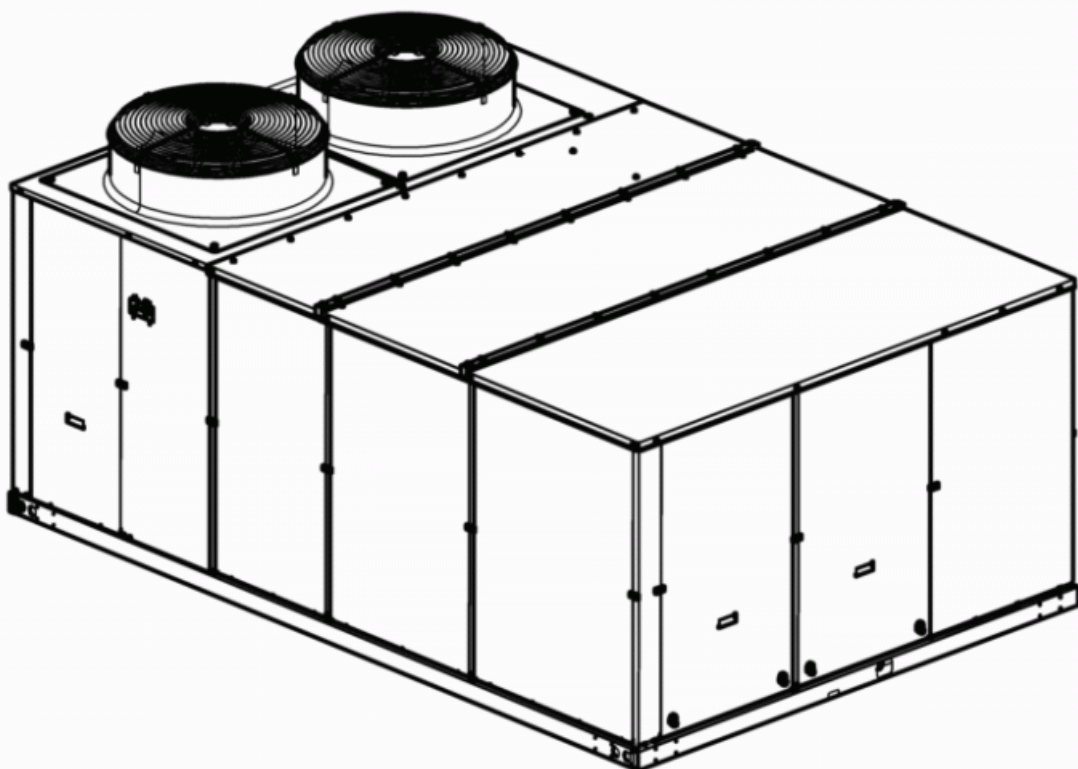




BY JOHNSON CONTROLS

Coil protection grille for Roof Top ACTIVA 045-090



Options and Accessories, Installation manual

Ref.: N-40325_EN 0809



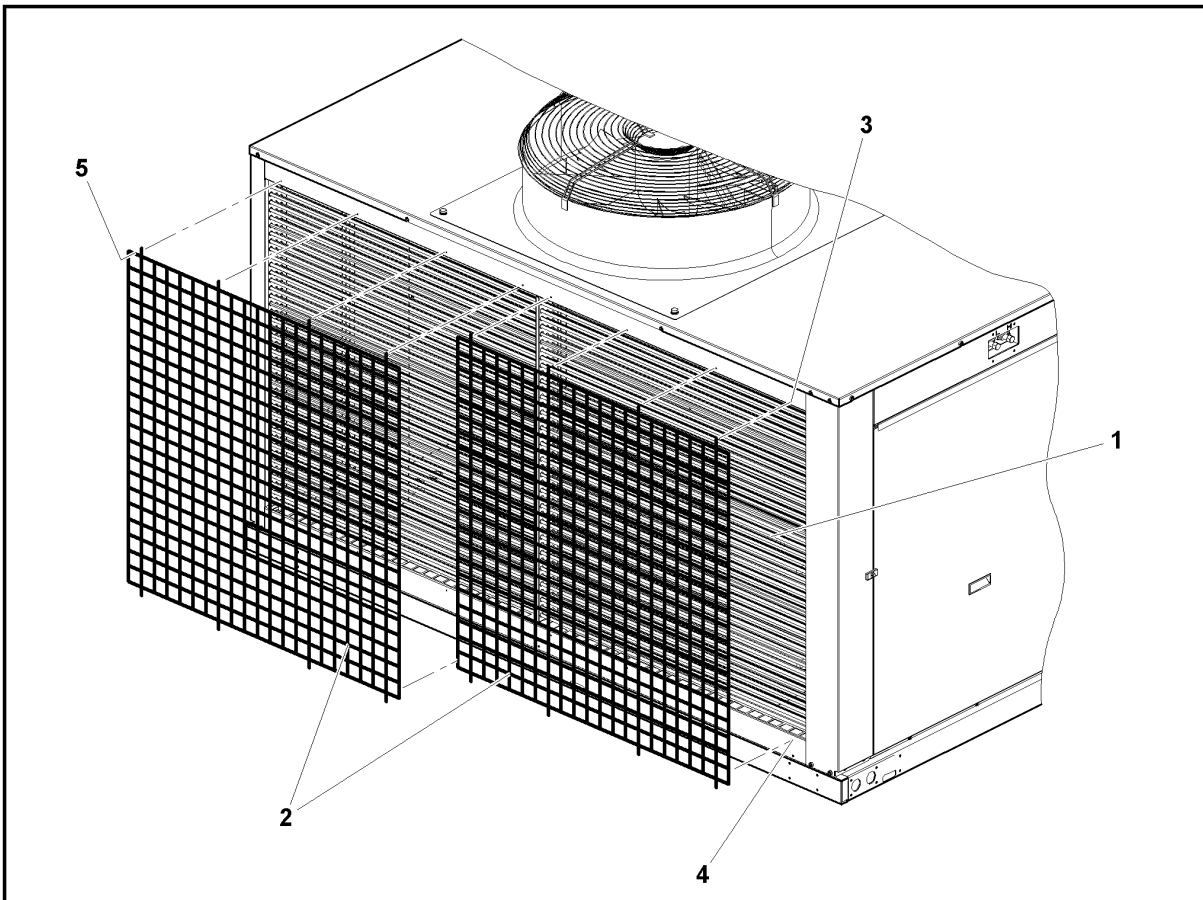
Index

1	Coil protection grille for Roof Top ACTIVA 045-090.....	1
1.1	Assembly.....	2
1.2	General Information.....	2
1.3	Installation instructions.....	2

1

**Coil protection grille for Roof Top ACTIVA
045-090**

1.1 Assembly



- | | |
|--|--|
| 1. Outdoor coil of the unit | 4. Installation holes in the inner frame |
| 2. Protective grille (x2) | 5. Self-threading screw |
| 3. Installation holes in the upper frame | |

1.2 General Information

It consists of two grilles and the necessary hardware for installation.

1.3 Installation instructions

- 1 Place the grilles over the front of the outdoor coil of the unit.
- 2 Ensure the holes in the wire of the grilles match the holes on the upper and lower frames of the installation.
- 3 Secure the grilles using the self-threading screws supplied.