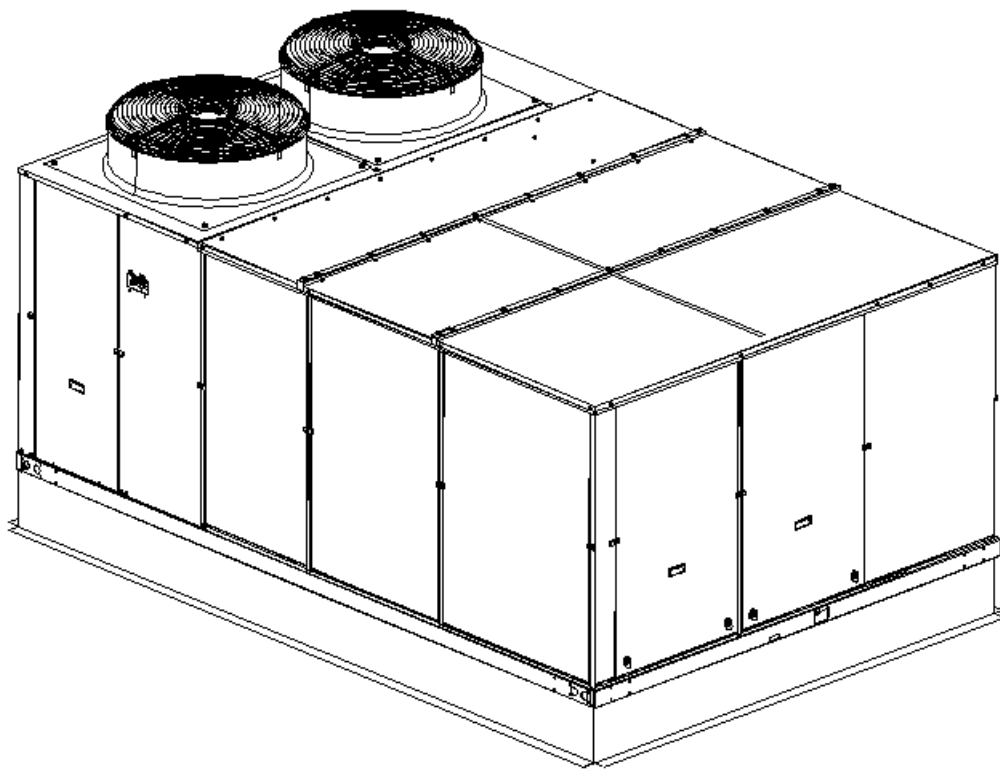




BY JOHNSON CONTROLS

## Mounting base (ROOF CURB) for ROOF TOP ACTIVA units 045-090



Options and Accessories, Installation manual

Ref.: N-40327\_EN 0809



## Index

1	Mounting base (ROOF CURB) for ROOF TOP ACTIVA units 045-090.....	1
1.1	Fixed ROOF CURB mounting.....	2
1.2	Adjustable ROOF CURB mounting.....	4
1.3	On-site mounting (all models).....	6
1.4	General Information.....	6
1.5	Installation.....	7

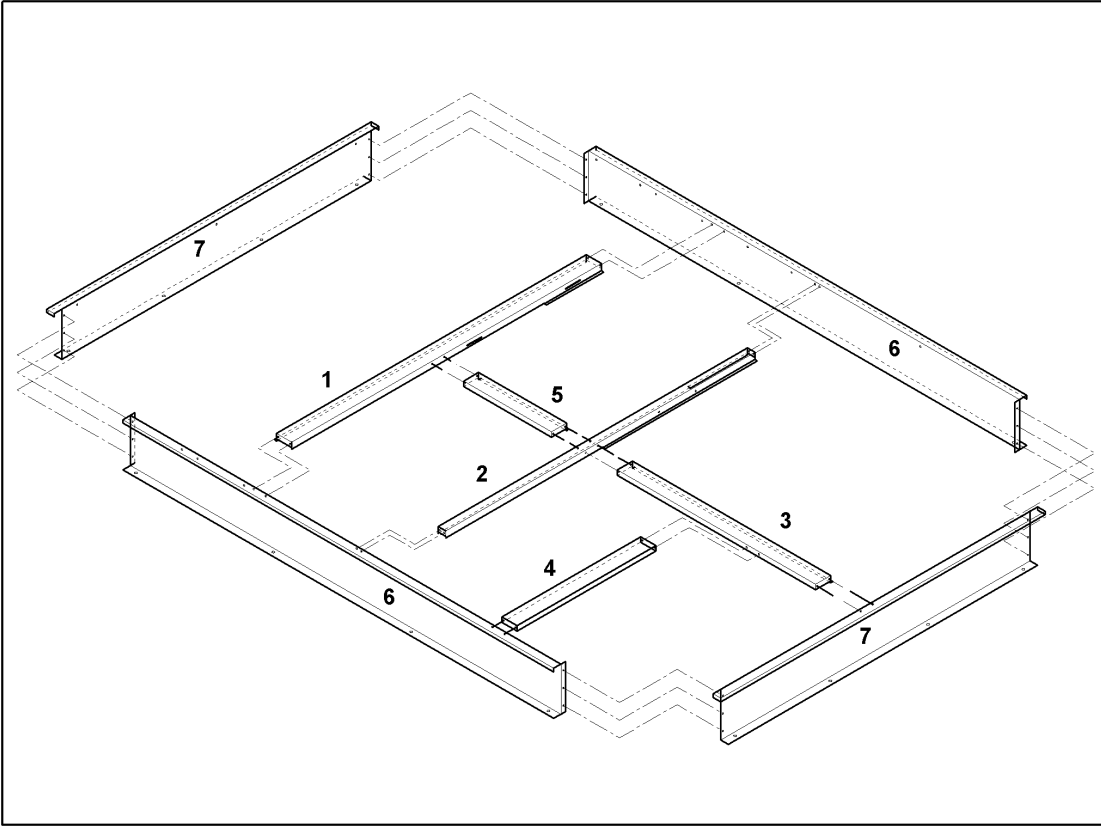
1

---

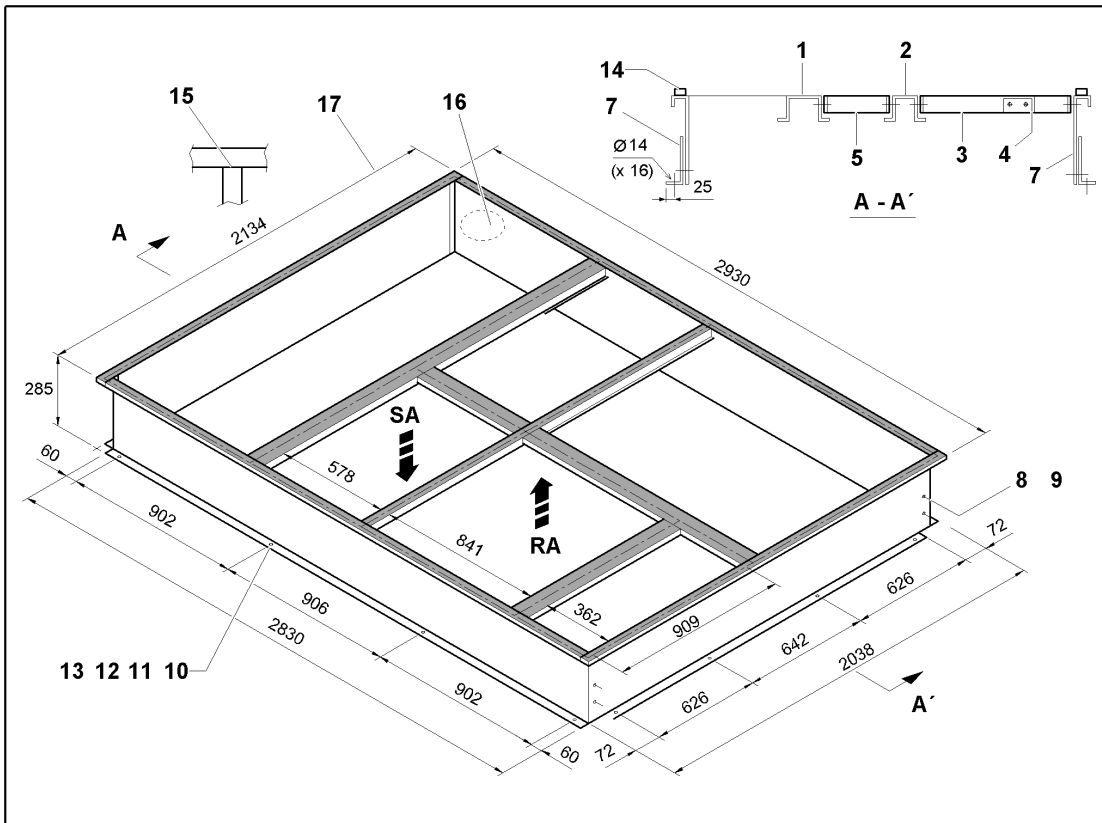
**Mounting base (ROOF CURB) for ROOF  
TOP ACTIVA units 045-090**

## 1.1 Fixed ROOF CURB mounting

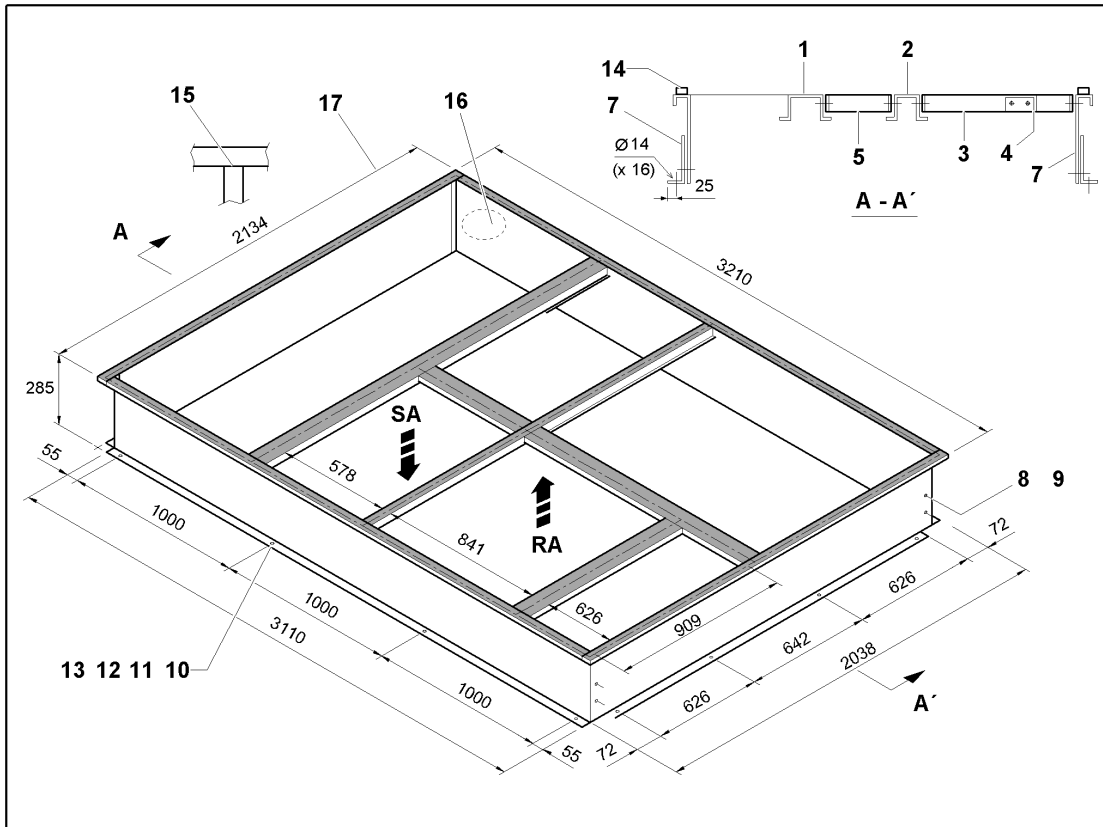
Exploded view



General measurements ACTIVA 045-060



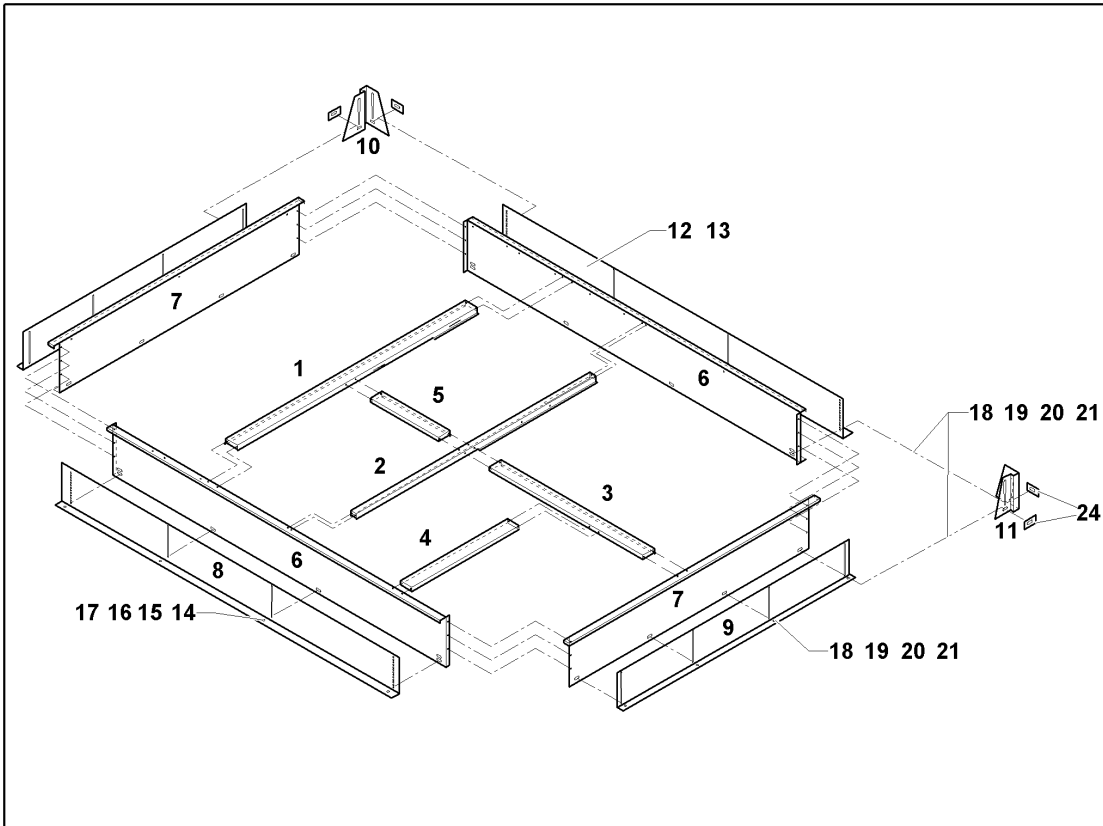
**General measurements ACTIVA 075-090**



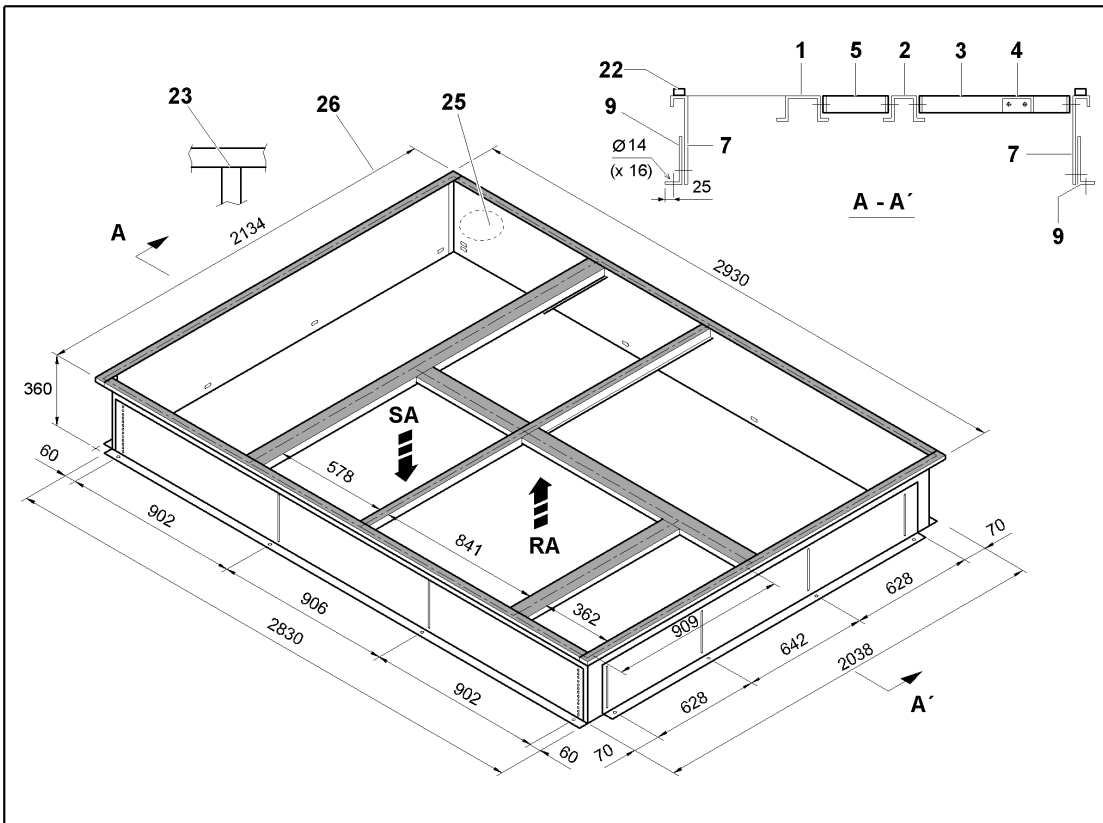
- |                                 |  |
|---------------------------------|--|
| 1. Condenser rail               | 11. M12 nut                                |
| 2. Evaporator rail              | 12. Flat washer                            |
| 3. Central rail                 | 13. Toothed washer (roof-fastening)        |
| 4. Transverse rail              | 14. Rubber strip (located in shaded area)  |
| 5. Supply rail                  | 15. Flush connection between rubber strips |
| 6. Front/rear side              | 16. Cable passing area to electrical box   |
| 7. Side                         | 17. Outside coil side                      |
| 8. M8 bolt (frame assembly)     | SA Supply air                              |
| 9. Flat washer (frame assembly) | RA Return air                              |
| 10. M12 bolt                    |  |

## 1.2 Adjustable ROOF CURB mounting

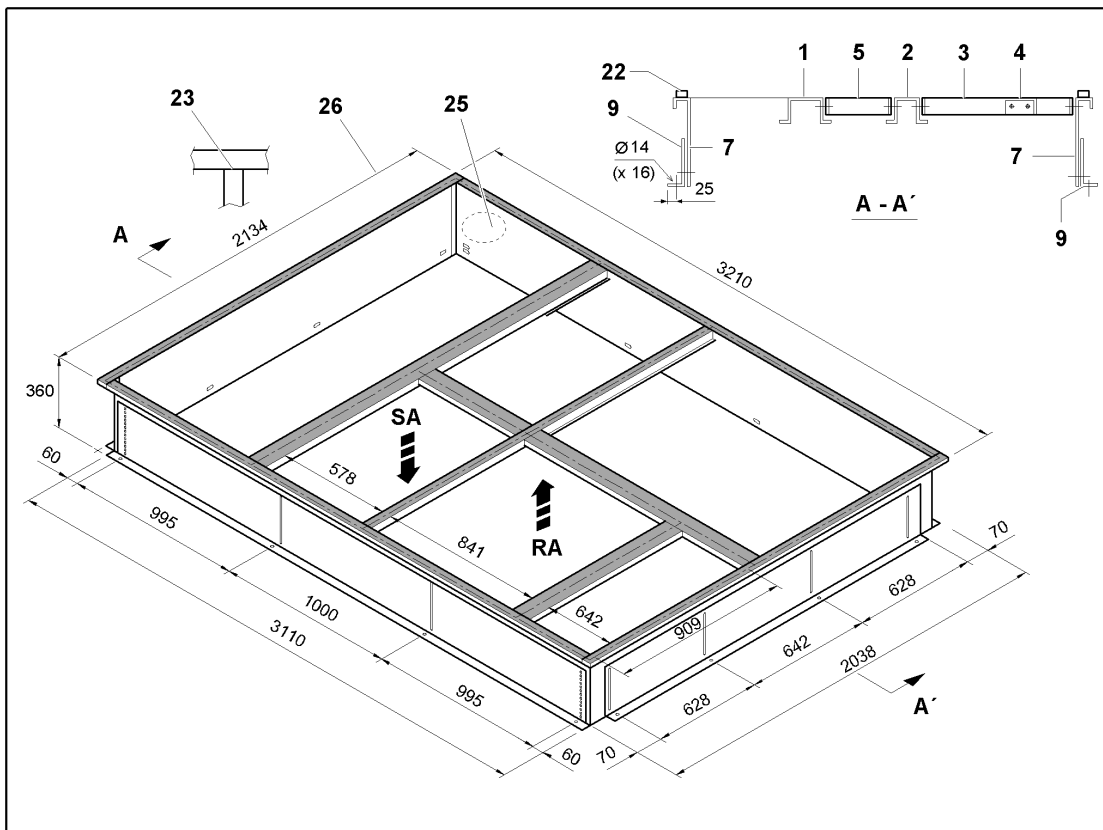
Exploded view



General measurements ACTIVA 045-060

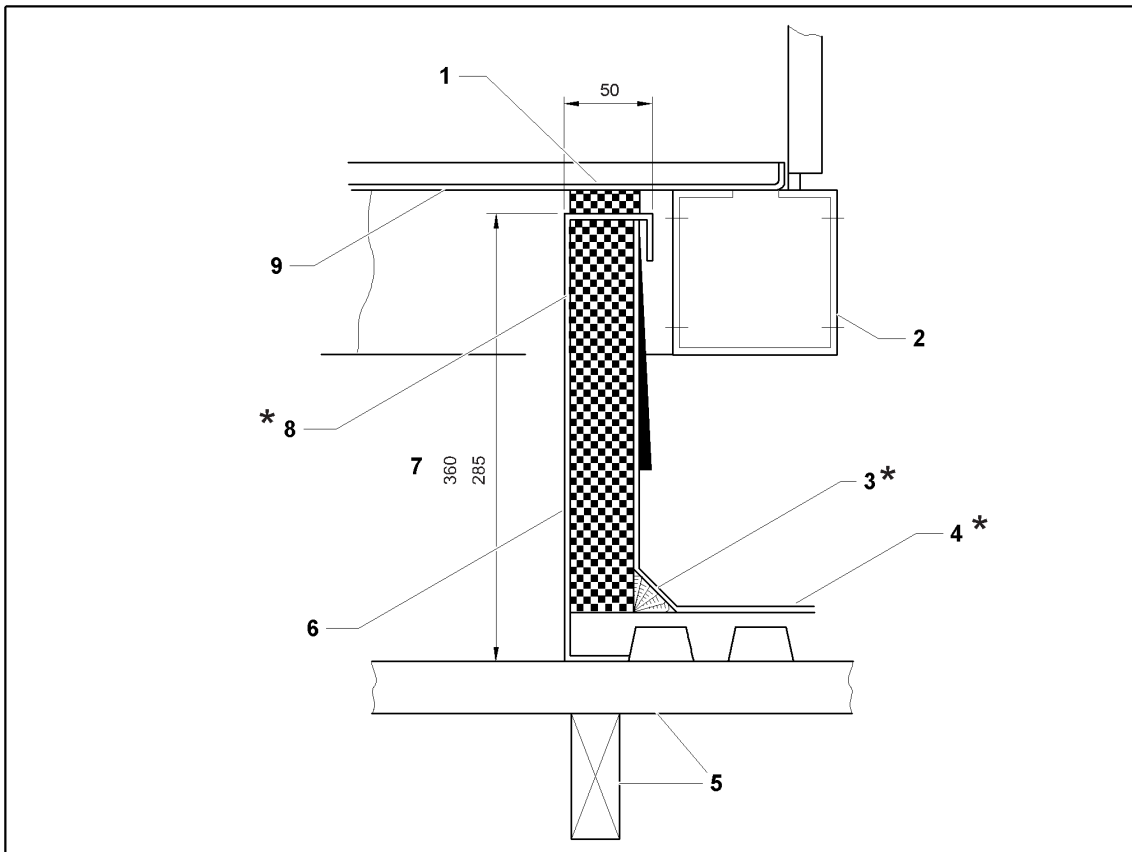


**General measurements ACTIVA 075-090**



- |                                  |   |
|----------------------------------|---|
| 1. Condenser rail                | 15. M12 nut                                     |
| 2. Evaporator rail               | 16. Flat washer                                 |
| 3. Central rail                  | 17. Toothed washer (roof-fastening)             |
| 4. Transverse rail               | 18. M10 bolt                                    |
| 5. Supply rail                   | 19. M10 nut                                     |
| 6. Front/rear side               | 20. Flat washer                                 |
| 7. Side                          | 21. Toothed washer (slope fastening/adjustment) |
| 8. Moving front/rear side        | 22. Rubber strip (located in shaded area)       |
| 9. Moving side                   | 23. Flush connection between rubber strips      |
| 10. Left-hand bracket            | 24. Plate                                       |
| 11. Right-hand bracket           | 25. Cable passing area to electrical box        |
| 12. M8 bolt (frame assembly)     | 26. Outside coil side                           |
| 13. Flat washer (frame assembly) | SA Supply air                                   |
| 14. M12 bolt                     | RA Return air                                   |

## 1.3 On-site mounting (all models)



- |  |                                  |
|--|----------------------------------|
| 1. 40 x 25 mm rubber strip for base frame and all duct supporting surfaces | 6. Mounting base frame           |
| 2. Unit base joists  | 7. Fixed/adjustable ROOF CURB    |
| 3. Bevel batten (*)  | 8. Rigid insulating material (*) |
| 4. Building roof insulating material (*)                                   | 9. Unit base                     |
| 5. Building structure and roof   |                                  |

(\*) Material not supplied with the Kit.

## 1.4 General Information

The ROOF CURB mounting base accessory is a prefabricated structure that is installed on the roof of the building during construction for the subsequent fitting of the ROOF TOP unit.

Its aim is to ensure the installation as a whole is sealed tight against the roof of the building and provides for easier installation of the ROOF TOP unit.

Ducts can be easily fitted to the mounting base prior to installation of the ROOF TOP unit. All electrical connections can be made directly through the mounting base from the inside of the building.

There are two types of mounting base:

- 1 ROOF CURB fixed type, for flat and levelled building roofs.
- 2 ROOF CURB adjustable type, for sloping building roofs (maximum 7°).



## 1.5 Installation

The bases are delivered dismantled in kit form and include the necessary nuts and bolts and rubber strips. They must be secured to the roof of the building. To do so, use the nuts and bolts supplied (M-12) or use welding.

A level tolerance of a maximum of 10 mm in any direction must be maintained.

To avoid humidity and condensate leaks in the building, the four exterior sides must be insulated using rigid insulating material and the contour must be covered with an extension of the same insulating and sealing material used on the building roof (components marked “\*” are not supplied with the accessory).

The joints between the ends of the rubber strips must be flush, with no space between them.

The measurements of each model and the instructions for its on-site installation are given in detail in the attached diagrams.

The ducts must be directly connected on the ROOF CURB before fitting the ROOF TOP unit. A plenum system (not supplied) can be used, fitted from the outside (roof) to connect the duct from the inside of the building.

Data and measurements subject to changes without prior notice.
--