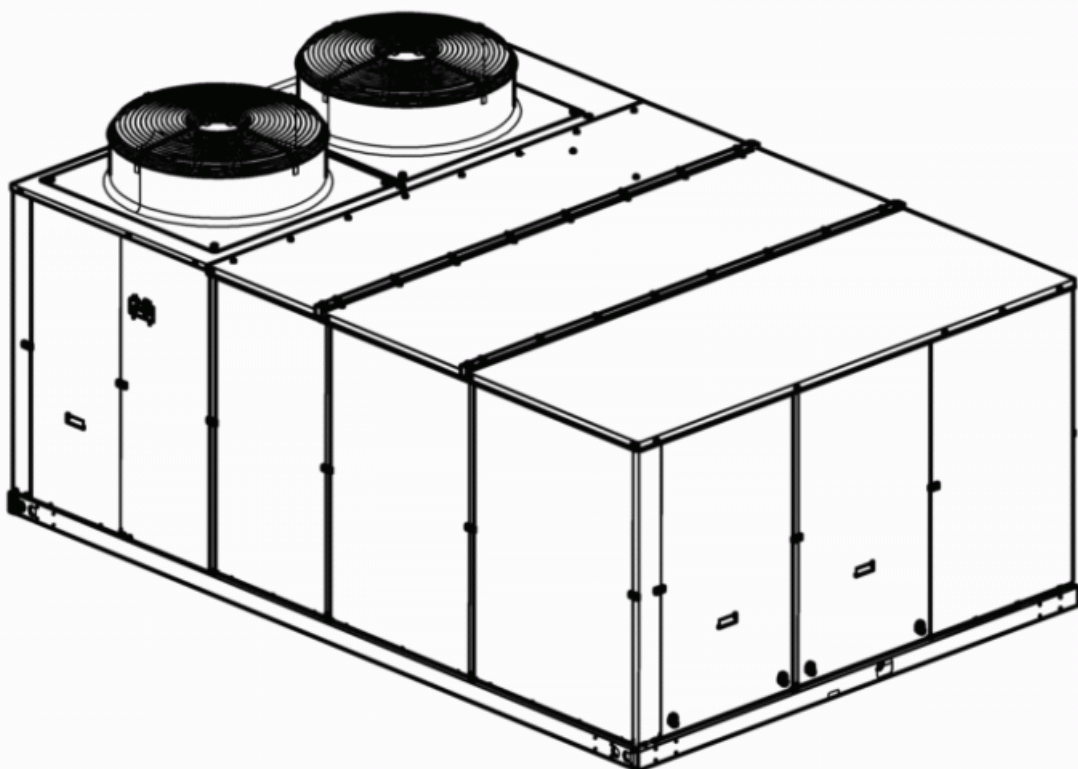




BY JOHNSON CONTROLS

Propane gas conversion kit for ROOF TOP ACTIVA 045-090



Options and Accessories, Installation manual

Ref.: N-40329_EN 0809



Index

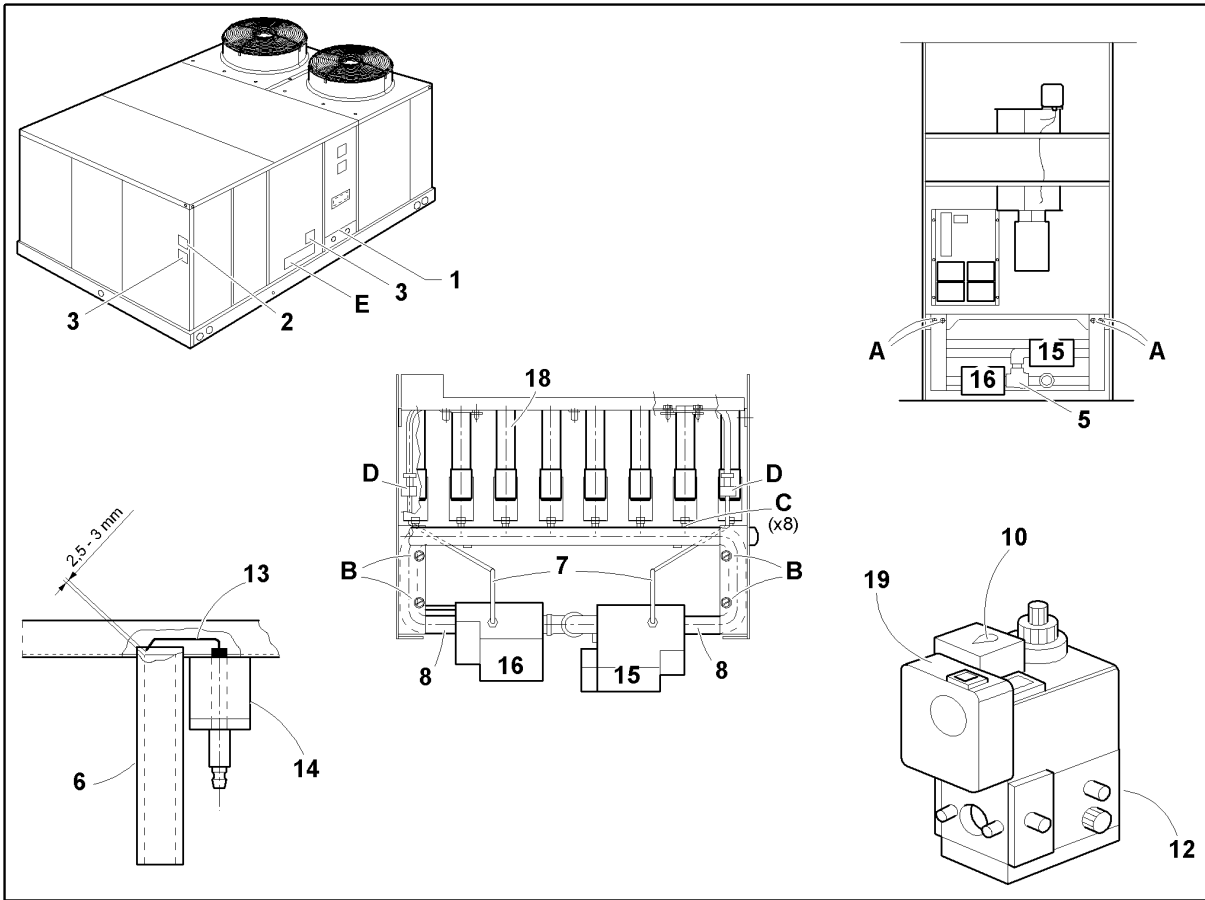
1	Propane gas conversion kit for ROOF TOP ACTIVA 045-090.....	1
1.1	Assembly.....	2
1.2	List of components.....	3
1.3	General Information.....	3
1.4	Installation.....	3

1

**Propane gas conversion kit for ROOF
TOP ACTIVA 045-090**

1.1 Assembly

1.1 Assembly



- | | |
|---|---|
| 1. Access panel (2 piece) | 14. PTFE support |
| 2. Rating plate | 15. Gas valve 1 |
| 3. Conversion label | 16. Gas valve 2 |
| 5. Burner assembly | 18. Burners (8) |
| 6. Burner | 19. Gas pressure switch (on gas valve 1 only) |
| 7. Pilot tube | A. Set screws |
| 8. Supply manifold | B. Set screws for the supply manifolds |
| 10. Main regulator (PBr) | C. Burner injector |
| 12. Pressure intake on supply manifold (on connection flange) | D. Pilot injector |
| 13. Ignition electrode | E. Original gas hole label |

1.2 List of components

This accessory consists of the components indicated in the table.

Item	Description	Qty.
1.	Burner injector no. 49 (1.85 mm)	8
2.	Pilot injector no. 76 (0.51 mm)	2
3.	Conversion label	2
4.	Thread sealant	1
5.	Installation instructions	1
Propane gas conversion kit for ROOF TOP ACTIVA 045-090		

1.3 General Information

The ROOF TOP ACTIVA ARG-ARD units are factory-supplied to operate with natural gas. They can be transformed to run with propane gas using this conversion kit that is installed on site.

Recommended propane gas supply pressure:

Minimum = 22 mbar

Maximum = 37 or 50 mbar



CAUTION

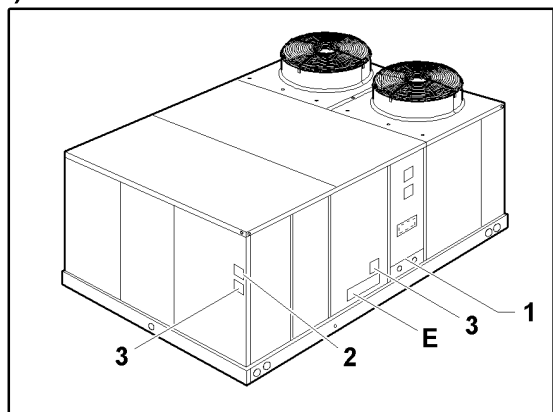
- *The gas valves on these units are only suitable for gas operating. Do not try to make them work with liquid hydrocarbons.*
- *These installation instructions only cover the conversion of the unit to work with propane gas. For any other issue related to the installation, please use the installation manual or the technical information.*

1.4 Installation

Burner conversion (before electricity and gas connection)

Remove the access panel to the heating section.

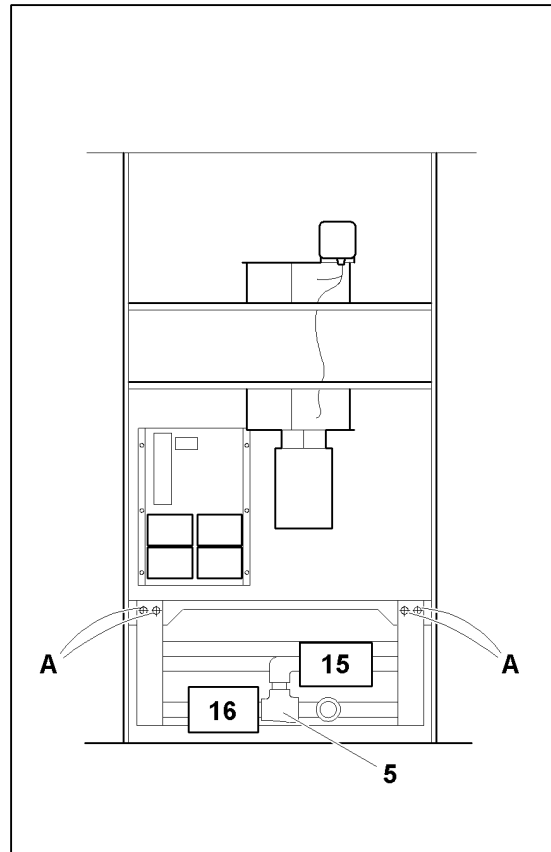
Disconnect the cables from the flame sensor, ignition electrode and gas valve.



1.4 Installation

Loosen the four set screws **-A-** from the burner assembly.

Pull the burner assembly out of the unit.



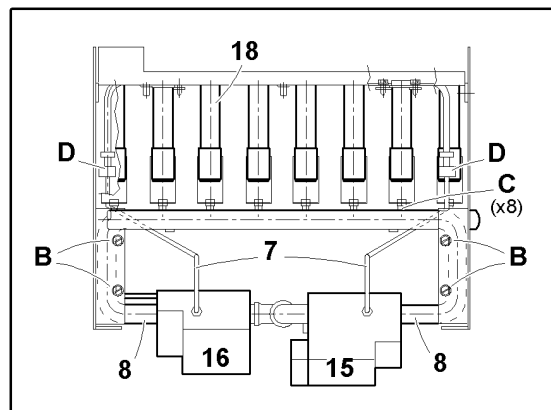
With the burner assembly out of the unit, loosen the screws **-B-** securing the position of both supply manifolds.

Carefully remove the valve/manifold assembly, pulling it back enough to be able to remove the burner injectors **-C-** (four on each manifold) and the two pilot injectors **-D-**.

Loosen the coupling connecting the pilot pipes to their injector **-D-**.

Remove and dispose of the original injectors and fit those supplied (ITEM 2) measuring 0.51 mm.

Remove and dispose of the burner injectors **-C-** on both supply manifolds (four on each manifold) and fit those supplied (ITEM 1) measuring 1.85 mm.

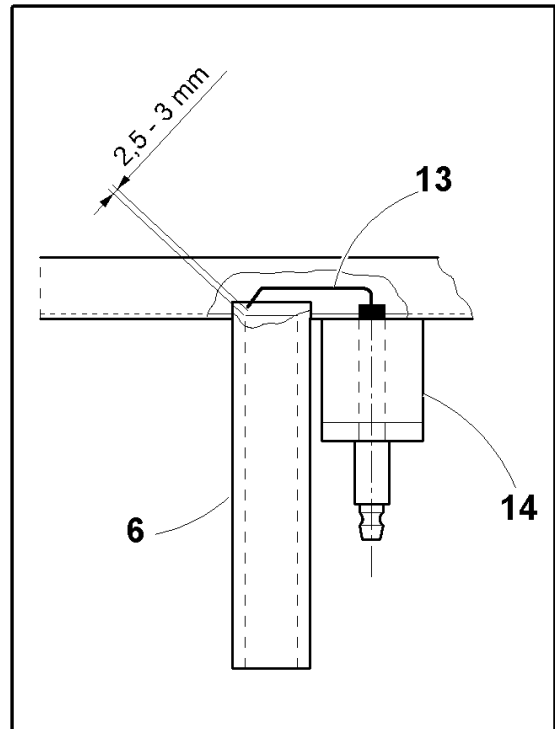
**CAUTION**

- *Before fitting the injectors **-C-** and **-D-** as indicated above, apply the Loctite-542-type sealant supplied (ITEM 5) to all male threads.*
- *To not apply too much sealant to prevent the injector hole from becoming blocked.*



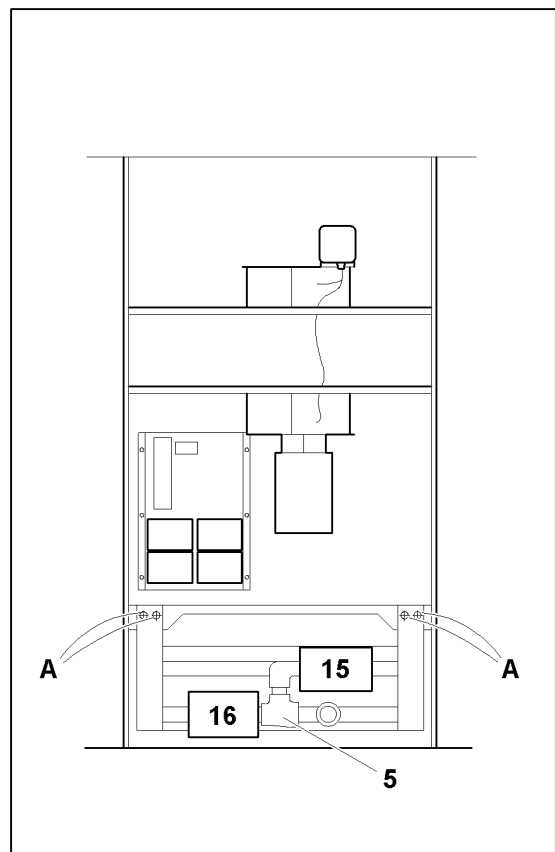
CAUTION

Check the alignment of all burners and the correct position of both ignition electrodes in relation to the outer burner.



Fit the burner assembly in its housing inside the unit, ensuring it is correctly supported on the guides at the bottom and securing it with the screws **-A-**.

Reconnect the flame sensor, ignition electrode and gas valve cables.



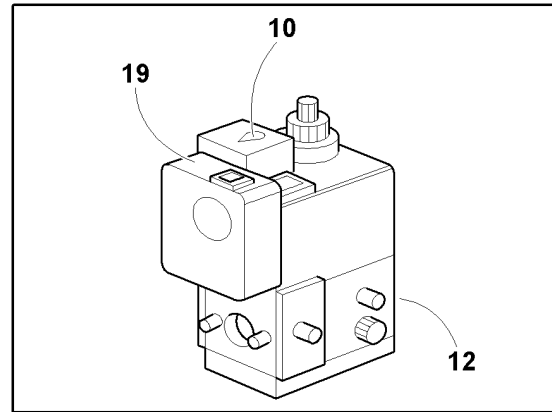
1.4 Installation

Setting the gas pressure switch

On valve 1, set the differential pressure switch -19- to 22 mbar.

Start-up

Connect the electricity and gas supply to the unit, start the unit and check for leaks according to the installation/operating/maintenance manual.



Valve adjustment: valve 1 (only the first stage operating)

Connect a digital manometer to the pressure intake -12- at the top of the manifold output flange (previously loosen the pressure intake screw).

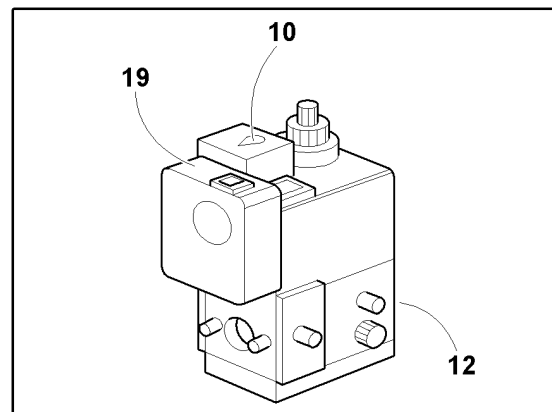
Adjust the main regulator PBr -10- until a pressure of 20 mbar is given on the manometer.



NOTE

The main regulator is underneath a small cover, ready for sealing once the adjustment and start-up process is complete.

Remove the manometer and tighten the pressure intake screw.



Valve adjustment: valve 2 (first and second stages operating)

Use the same procedure as for valve 1 for adjustment.

Labels

Complete the details on the label ITEM 3 supplied using a permanent marker.

Place the completed label over the label on the original gas hole -E-.

Place a second label next to the unit rating plate.

