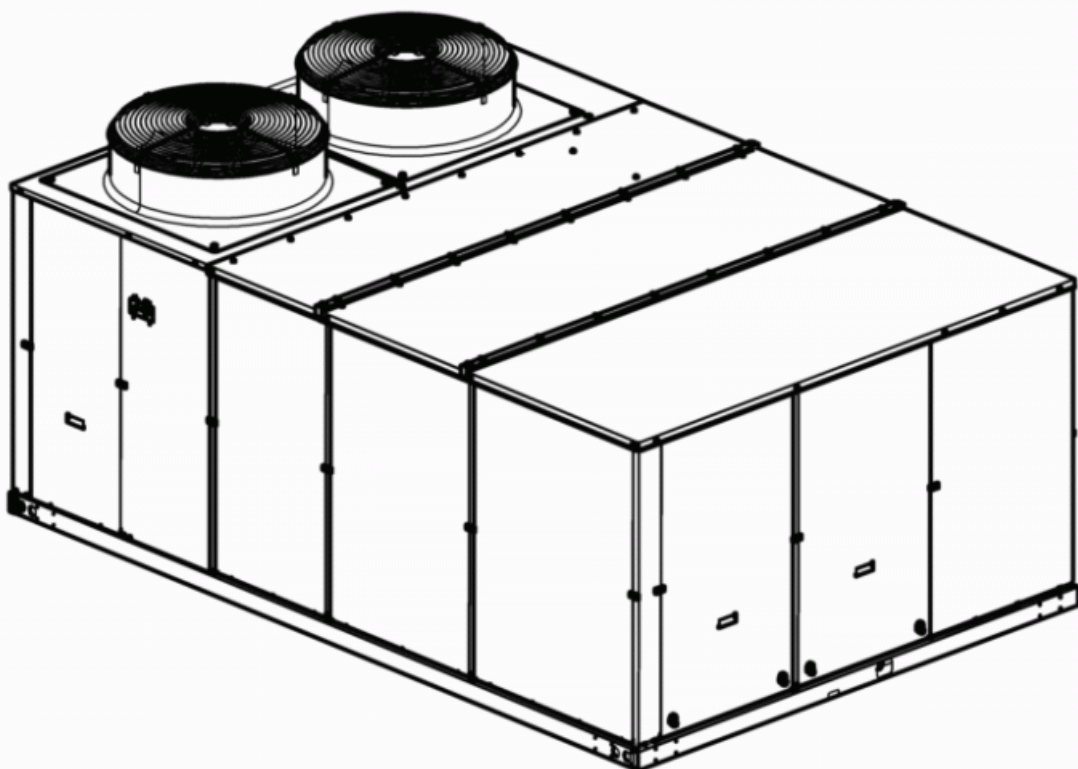




BY JOHNSON CONTROLS

ACTIVA SERIES ROOF TOP Air Conditioners



General Information

Ref.: N-40316 0709



Index

1	General Information.....	1
1.1	Copyright.....	2
1.2	Introduction.....	2
1.3	Unit identification.....	2
1.3.1	Product nomenclature.....	2
1.3.2	Rating plate.....	3
1.3.3	Serial number plate.....	3
1.4	EC Declaration of Conformity.....	4
1.5	Contacting the manufacturer.....	6

1

General Information

1.1 Copyright

© Copyright 2009 Johnson Controls Inc. – All rights reserved.

No part of this document may be reproduced, published, stored in an electronic database or transmitted in any form or by any means without the permission of Johnson Controls Inc.

In keeping with its policy of continuous improvement of product quality, Johnson Controls Inc. reserves the right to make changes at any time, without prior notification and without obligation to incorporate them into products already sold. As such, this document may have been subject to modification during the life of the product.

As a consequence, some images used for illustration may not correspond to this specific model. No claims will be accepted based on the data, illustrations or descriptions in this manual.

No modification may be made to the unit without prior written authorisation by the manufacturer.

1.2 Introduction

This manual provides the necessary information for the safe and correct use of the unit. Along with the rest of the documents provided with the unit, this document forms an integral part of the user and installation manual. As such, it should be kept in good condition in a suitable place.

READ AND UNDERSTAND THIS MANUAL BEFORE USING THE UNIT. This document provides the knowledge required to use the unit safely and efficiently along with the necessary instructions for installation and maintenance. Using this knowledge guarantees the condition and operating safety of the unit.

Store these documents in an appropriate place that is easy to find to be sure that the information included in them remains available. If you need another copy, contact Johnson Controls Inc. [Contacting the manufacturer](#) , see on page 6 .

1.3 Unit identification

1.3.1 Product nomenclature

ACTIVA Series					
	Roof Top				
		Model			
		C: Air conditioning			
		H: Heat pump			
		G: Air conditioning, gas heating			
		D: Heat pump, gas heating			
			Rated cooling capacity		
			045: 45 kW		
			060: 60 kW		
			075: 75 kW		
			090: 90 kW		
				Version	
A	R	C	045	A	

1.3.2 Rating plate

The rating plate is located on one of the corner panels of the unit, visible to users.

It specifies the defining features of the air conditioning unit. The CE marking logo is on the upper left margin.

CONTROL		JOHNSON CONTROLS	
<input type="text"/>		MANUFACTURING ESPAÑA, S.L.	
		0999	
MANUFACTURED IN SPAIN UNDER LICENSE FROM YORK INTERNATIONAL			
MOD.	<input type="text"/>	COD.	<input type="text"/>
INTERCAMBIADOR INTERIOR – INDOOR HEAT EXCHANGER			
TEMPERATURA MAXIMA	(TS) <input type="text"/> °C	PRESION MAXIMA	(PS) <input type="text"/> bar
MAXIMUN TEMPERATURE		MAXIMUN PRESSURE	
<input type="text"/> kW (FRIO)	<input type="text"/> kW (CALOR)	AIRE	<input type="text"/> m3/s
(COOLING)	(HEATING)	AIR FLOW	
INTERCAMBIADOR EXTERIOR – OUTDOOR HEAT EXCHANGER			
TEMPERATURA MAXIMA	(TS) <input type="text"/> °C	PRESION MAXIMA	(PS) <input type="text"/> bar
MAXIMUN TEMPERATURE		MAXIMUN PRESSURE	
AIRE	<input type="text"/> m3/s		
AIR FLOW			
COMPRESORES n°	<input type="text"/>	PESO FUNC.	<input type="text"/> Kg. <input type="text"/> dBA
COMPRESORES n°		OPERATING WEIGHT	
REFRIG.	<input type="text"/>	KG.SYS.1+	<input type="text"/>
		KG.SYS.2+	<input type="text"/>
		KG.SYS.3	<input type="text"/>
FASES	<input type="text"/>	V.	<input type="text"/>
PHASES		Hz.	<input type="text"/>
		kW	<input type="text"/>
		IP.	<input type="text"/>
FRIO	CEE <input type="text"/>	W/W	<input type="text"/>
COOLING		A.(PC)	<input type="text"/>
		(FL)AMPS.	<input type="text"/>
		A.(RB)	<input type="text"/>
		(LR)AMPS.	<input type="text"/>
CALOR	CEE <input type="text"/>	W/W	<input type="text"/>
HEATING		A.(PC)	<input type="text"/>
		(FL)AMPS.	<input type="text"/>
		A.(RB)	<input type="text"/>
		(LR)AMPS.	<input type="text"/>
CALEFACCION GAS/GAS FURNACE HEATING			
CALOR TOTAL	<input type="text"/> kW	PRESION ENTRADA GAS	MIN. <input type="text"/> mbar
HEATING		GAS SUPPLY RANGE	MAX. <input type="text"/> mbar
NETO/NET	<input type="text"/> kW		
CEE			

1.3.3 Serial number plate



The serial number plate is located next to the rating plate on one of the corner panels of the unit, visible to users.

It contains the serial number that uniquely identifies the air conditioning unit. The CE marking logo is on the upper left margin.



CONTROL		JOHNSON CONTROLS	
<input type="text"/>		MANUFACTURING ESPAÑA, S.L.	
S/N.			

1.4 EC Declaration of Conformity

DECLARACION CE DE CONFORMIDAD SOBRE MAQUINAS		
FABRICANTE:	JOHNSON CONTROLS MANUFACTURING ESPAÑA, S.L	
DIRECCIÓN:	Paseo Espronceda, 278, 08204 SABADELL	
<p>Certificamos que el equipo descrito, ha sido diseñado, fabricado y probado de conformidad con los requisitos básicos de la Directiva de Equipos a presión 97/23/CEE y sus correspondientes módulos de aplicación. Así mismo certificamos que el equipo es conforme a las exigencias básicas de las Directivas Europeas que le son aplicables, incluidas las modificaciones de las mismas y las correspondientes transposiciones a la ley nacional.</p>		
APLICACIÓN DE LA MÁQUINA: Aire Acondicionado/Refrigeración		
TIPO: ARC, ARH 045 + 090		Nº de serie:
CATEGORIA D.E.P.: II (200 < PSxV < 1000)		
Módulo de evaluación: D1		
Organismo Notificado: AENOR C/Génova, 6, 28004 Madrid		Nº Organismo Notificado 0099
DIRECTIVAS DE LA CE APLICADAS:		98/37/CE, 2006/95/CE, 2004/108/CE, 97/23/CE
NORMAS ARMONIZADAS APLICADAS:		EN 12100-1:03, EN 12100-2:03, EN 13732-1:08, EN 13857:08, EN 953:98, EN 60204-1:06, EN 60335-1:02, EN 60335-2-40:05, EN 50368:03, EN 55014-1:08, EN 61000-3-12:06, EN 61000-3-3:97, EN 61000-3-11:02, EN 55014-2:98, EN 378-2:08
NORMAS INTERNACIONALES Y ESPECIFICACIONES TÉCNICAS APLICADAS:		EN ISO 9001:08, EN ISO 14001:04
LUGAR: Sabadell, (España)	FIRMA:	 ROMÁN LARRODA JEFE DE GESTIÓN DE CALIDAD

EC DECLARATION OF CONFORMITY		
FABRICANTE:	JOHNSON CONTROLS MANUFACTURING ESPAÑA, S.L	
DIRECCIÓN:	Paseo Espronceda, 278, 08204 SABADELL	
<p>We hereby certify that the mentioned equipment has been designed, manufactured and tested in accordance with essential requirements of Pressure Equipment Directive 97/23/EEC and its relevant application modules. We further certify that the equipment complies with the essential requirements of the European Directives applicable, including their modifications and the corresponding transpositions from the national law.</p>		
MACHINE APPLICATION: Air Conditioning / Refrigeration		
TYPE: ARC, ARH 045 + 090		Serial Nr.:
P.E.D. CATEGORY: II (200 < PSxV < 1000)		
Assessment Module: D1		
Notified Body: AENOR C/Génova, 6, 28004 Madrid		Nr. of Notified Body 0099
EC DIRECTIVES APPLIED:		98/37/EC, 2006/95/EC, 2004/108/EC, 97/23/EC
APPLIED HARMONIZED STANDARDS:		EN 12100-1:03, EN 12100-2:03, EN 13732-1:08, EN 13857:08, EN 953:98, EN 60204-1:06, EN 60335-1:02, EN 60335-2-40:05, EN 50368:03, EN 55014-1:08, EN 61000-3-12:06, EN 61000-3-3:97, EN 61000-3-11:02, EN 55014-2:98, EN 378-2:08
APPLIED INTERNATIONAL TECHNICAL STANDARDS AND SPECIFICATIONS:		EN ISO 9001:08, EN ISO 14001:04
PLACE: Sabadell, (Spain)	SIGNED BY:	 ROMÁN LARRODA QUALITY MANAGER

DECLARACION CE DE CONFORMIDAD SOBRE MAQUINAS		
FABRICANTE:	JOHNSON CONTROLS MANUFACTURING ESPAÑA,S.L.	
DIRECCIÓN:	Paseo Espronceda, 278, 08204 SABADELL	
<p>Certificamos que el equipo descrito, ha sido diseñado, fabricado y probado de conformidad con los requisitos básicos de la Directiva de Equipos a presión 97/23/CEE y sus correspondientes módulos de aplicación. Así mismo certificamos que el equipo es conforme a las exigencias básicas de las Directivas Europeas que le son aplicables, incluidas las modificaciones de las mismas y las correspondientes transposiciones a la ley nacional.</p>		
<p>APLICACIÓN DE LA MÁQUINA: Aire Acondicionado/Refrigeración</p>		
TIPO: ARG, ARD 045 + 090	Nº de serie:	
CATEGORIA D.E.P.: II (200 < PSxV < 1000)		
Módulo de evaluación: D1		
Organismo Notificado: AENOR C/Génova, 6, 28004 Madrid	Nº Organismo Notificado 0099	
DIRECTIVAS DE LA CE APLICADAS:	98/37/CE, 2006/95/CE, 2004/108/CE, 97/23/CE, 90/396/C	
NORMAS ARMONIZADAS APLICADAS:	EN 12100-1:03, EN 12100-2:03, EN 13732-1:08, EN 13857:08, EN 953:98, EN 60204-1:06, EN 60335-1:02, EN 60335-2-40:05, EN 50366:03, EN 55014-1:08, EN 61000-3-12:06, EN 61000-3-3:97, EN 61000-3-11:02, EN 55014-2:98, EN 378-2:08, EN 1020:98	
NORMAS INTERNACIONALES Y ESPECIFICACIONES TÉCNICAS APLICADAS:	EN ISO 9001:08, EN ISO 14001:04	
LUGAR: Sabadell, (España)	FIRMA:	 ROMÁN LARRÓCA JEFE DE GESTIÓN DE CALIDAD

EC DECLARATION OF CONFORMITY		
FABRICANTE:	JOHNSON CONTROLS MANUFACTURING ESPAÑA,S.L.	
DIRECCIÓN:	Paseo Espronceda, 278, 08204 SABADELL	
<p>We hereby certify that the mentioned equipment has been designed, manufactured and tested in accordance with essential requirements of Pressure Equipment Directive 97/23/EEC and its relevant application modules. We further certify that the equipment complies with the essential requirements of the European Directives applicable, including their modifications and the corresponding transpositions from the national law.</p>		
<p>MACHINE APPLICATION: Air Conditioning / Refrigeration</p>		
TYPE: ARG, ARD 045 + 090	Serial Nr.:	
P.E.D. CATEGORY: II (200 < PSxV < 1000)		
Assessment Module: D1		
Notified Body: AENOR C/Génova, 6, 28004 Madrid	Nr. of Notified Body 0099	
EC DIRECTIVES APPLIED:	98/37/CE, 2006/95/CE, 2004/108/CE, 97/23/CE, 90/396/C	
APPLIED HARMONIZED STANDARDS:	EN 12100-1:03, EN 12100-2:03, EN 13732-1:08, EN 13857:08, EN 953:98, EN 60204-1:06, EN 60335-1:02, EN 60335-2-40:05, EN 50366:03, EN 55014-1:08, EN 61000-3-12:06, EN 61000-3-3:97, EN 61000-3-11:02, EN 55014-2:98, EN 378-2:08, EN 1020:98	
APPLIED INTERNATIONAL TECHNICAL STANDARDS AND SPECIFICATIONS:	EN ISO 9001:08, EN ISO 14001:04	
PLACE: Sabadell, (Spain)	SIGNED BY:	 ROMÁN LARRÓCA QUALITY MANAGER

1.5 Contacting the manufacturer

Contact Johnson Controls Inc. with any queries, complaints or claims or to order spare parts.

Johnson Controls Inc.

Paseo Espronceda 278 Sabadell 08204 (Barcelona) Spain

Website: www.johnsoncontrols.com