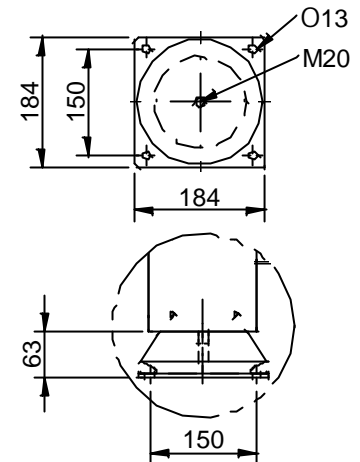
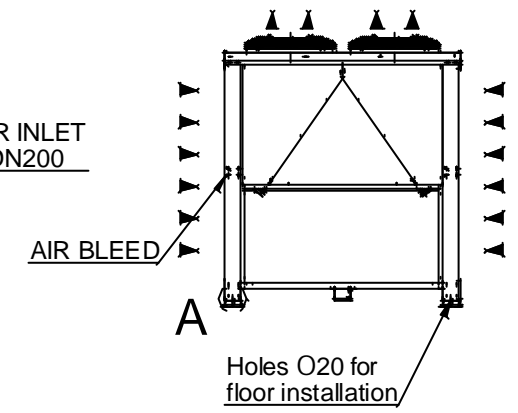
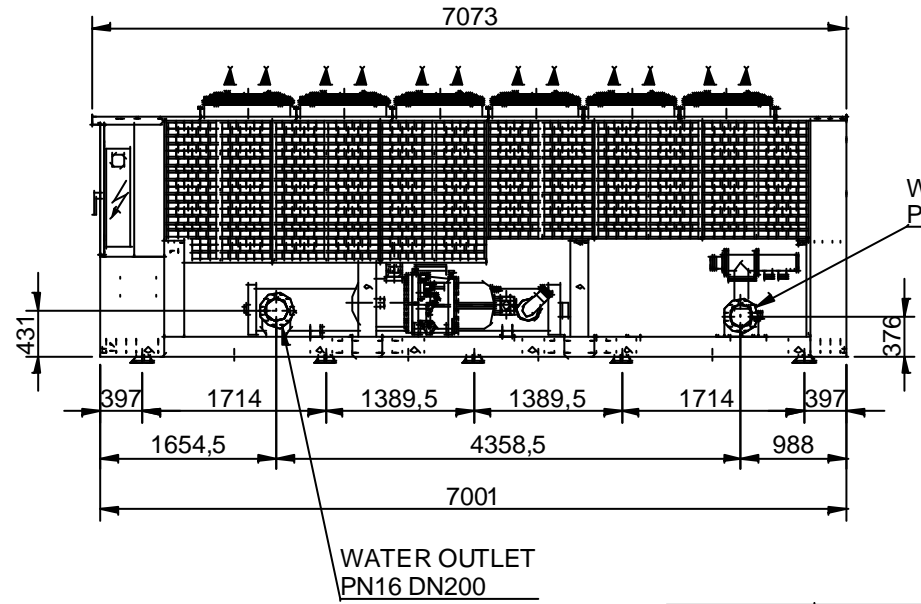
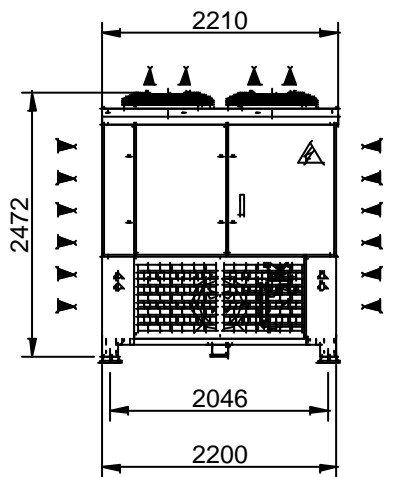


N°10 VIBRATOR ISOLATORS
60020034 45° ShA



DETAIL A



MIN EMPTY WEIGHT	6500 kg.
MAX OPERATING WEIGHT	7800 kg.

Scala-Scala	Data-Date	Dis.to-Drawn	N°Pezzi	
Peso-Weight Kg.	11/06/09	Quaglio R.		
Materiali-Materials				
Denominazione-Denomination Water chiller YSFC series mod. YSFC0600				
Particolare-Detail Dimensioni d'ingombro / Overall dimension				DIS-DRAWN. YSFC0600D03
				Revisione 00
				PROGRAM.N.