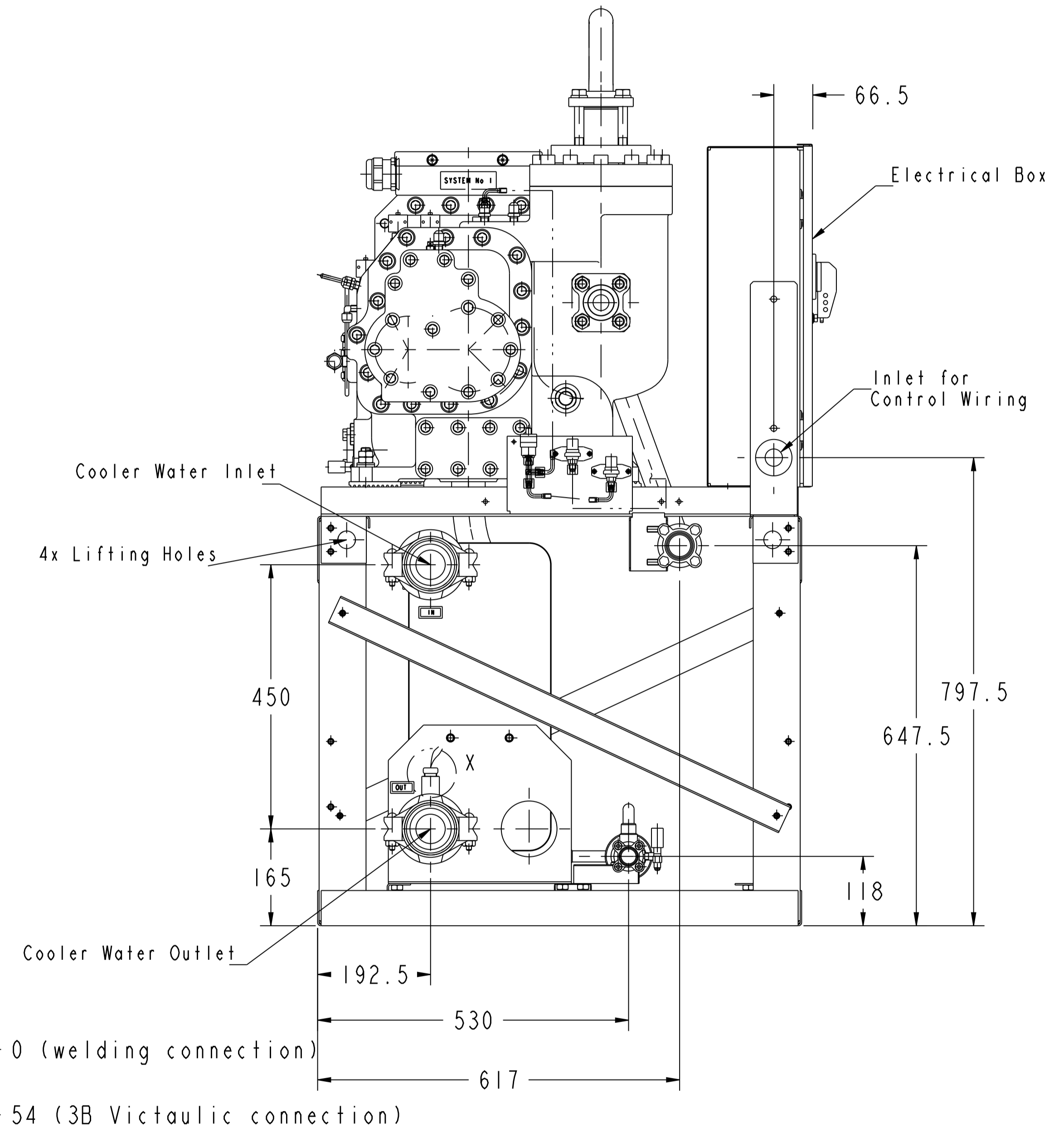
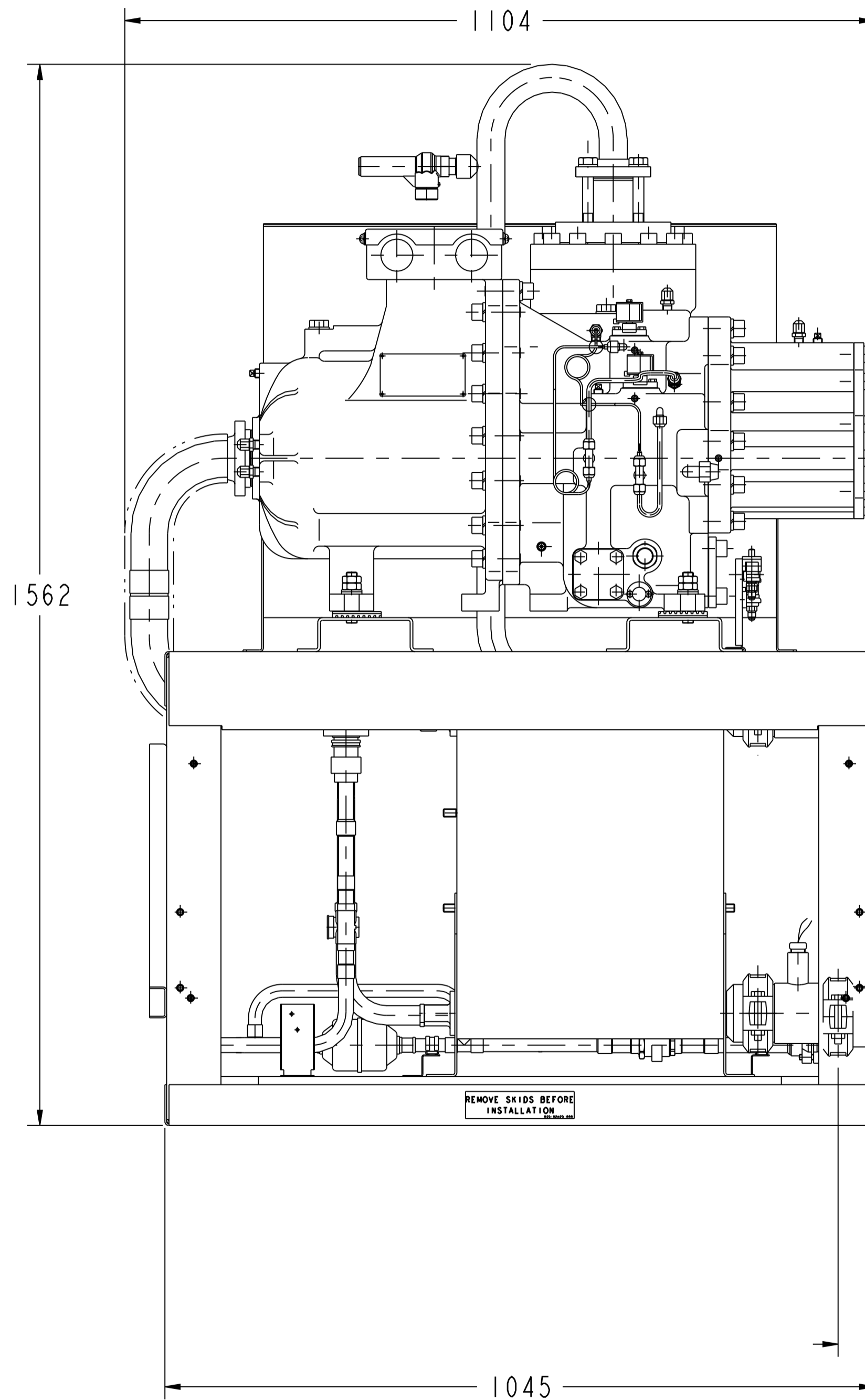
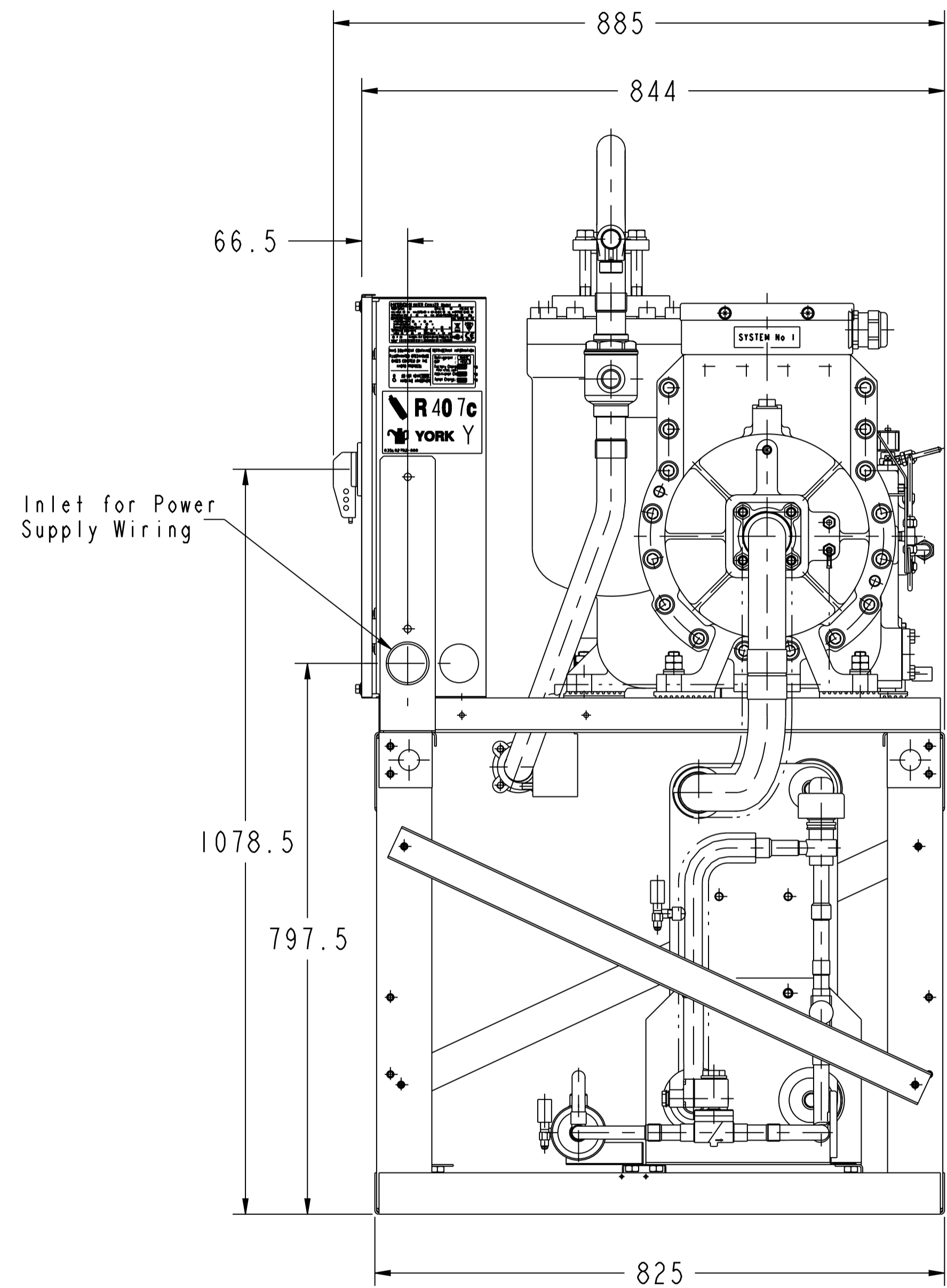


DIMENSIONAL DRAWING OF CONDENSER LESS WATER CHILLER
(YCRE-B060SB50)



REV.	DATE	EC. NO.	DR.	CHK.	ENG.
-	09-APR-2010	-	HAPE	RS	MB
NEW RELEASE					

CONTINUED

DO NOT SCALE
UNLESS OTHERWISE SPECIFIED,
DIMENSIONS ARE IN MILLIMETERS

		JOHNSON CONTROLS - BUILDING EFFICIENCY 507 EAST MICHIGAN STREET, MILWAUKEE, WI, 53202 USA	
THIRD ANGLE 	PRODUCT DRAWING YCRE 60	MATERIAL - ENG. STD. - PART NO. - CUT SIZE -	REVISION VERSION RELEASED
DRAWN HAPE MODELER - CHKD R SWEED 09-APR-2010 ENG M BEAUMONT 09-APR-2010 SCALE: DRAWING SCALE MASS (kg): -	CAGE NUMBER A1 66935	DRAWING NUMBER 035-23016-000	SHEET 1 OF 1