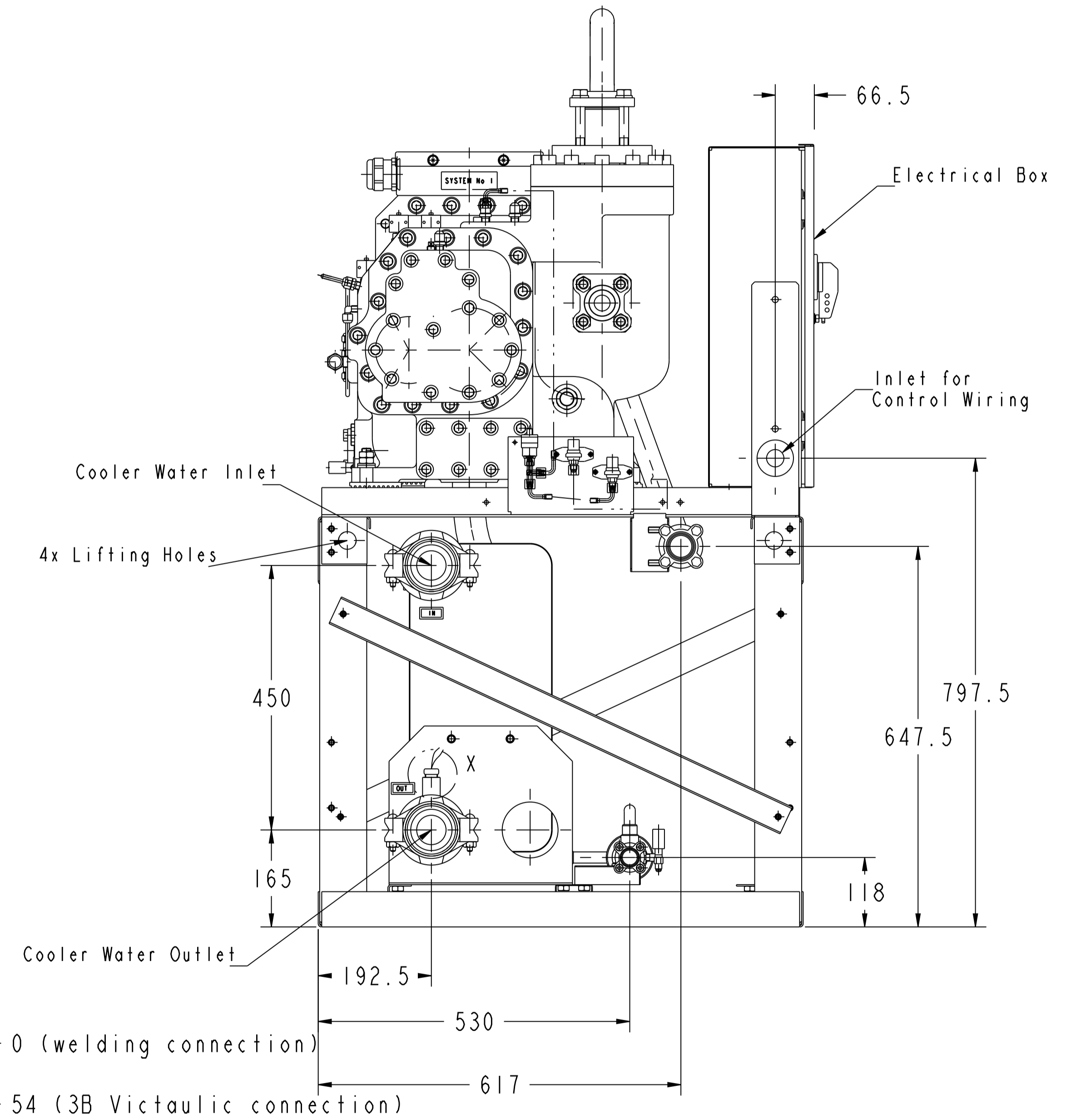
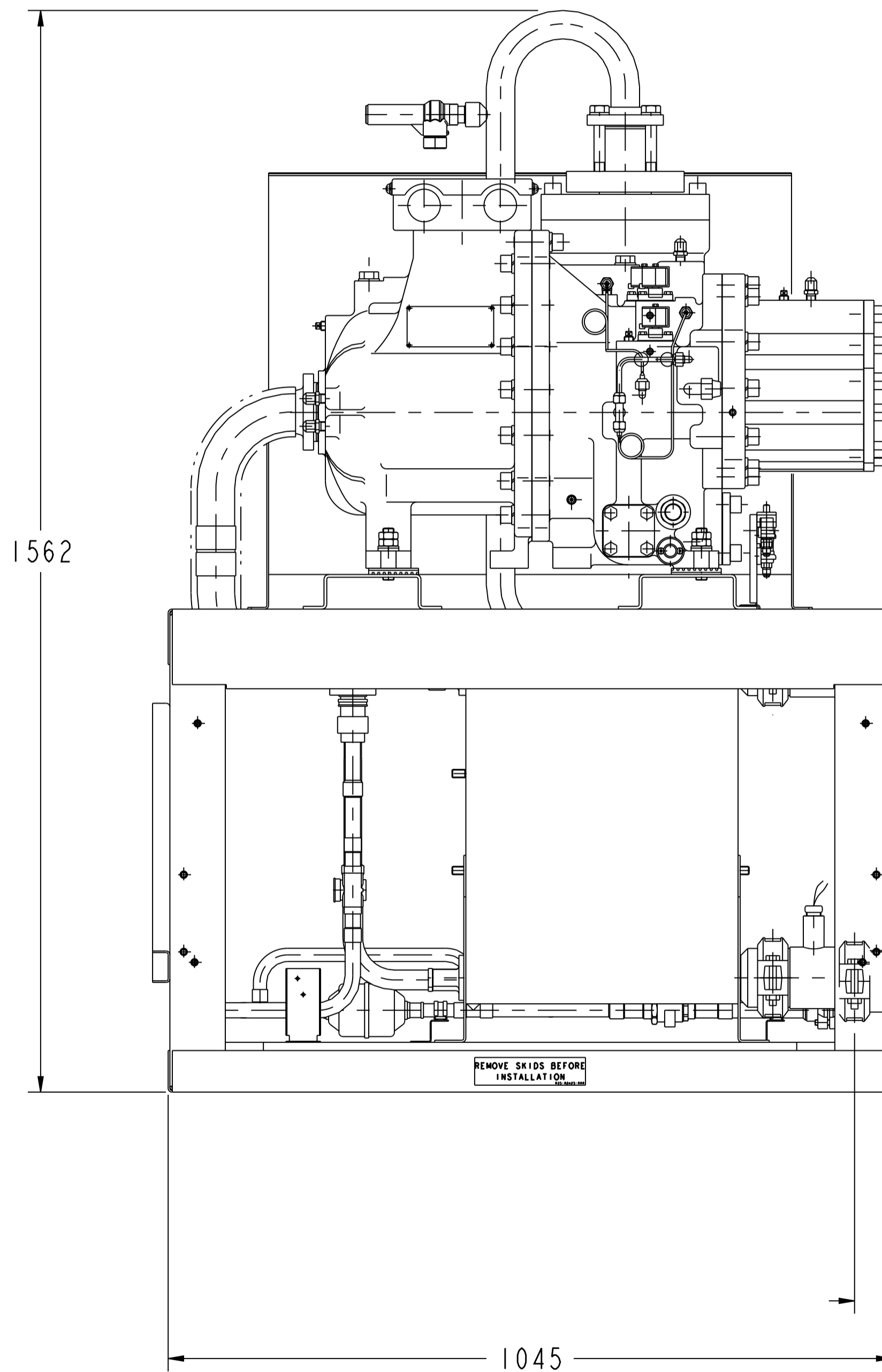
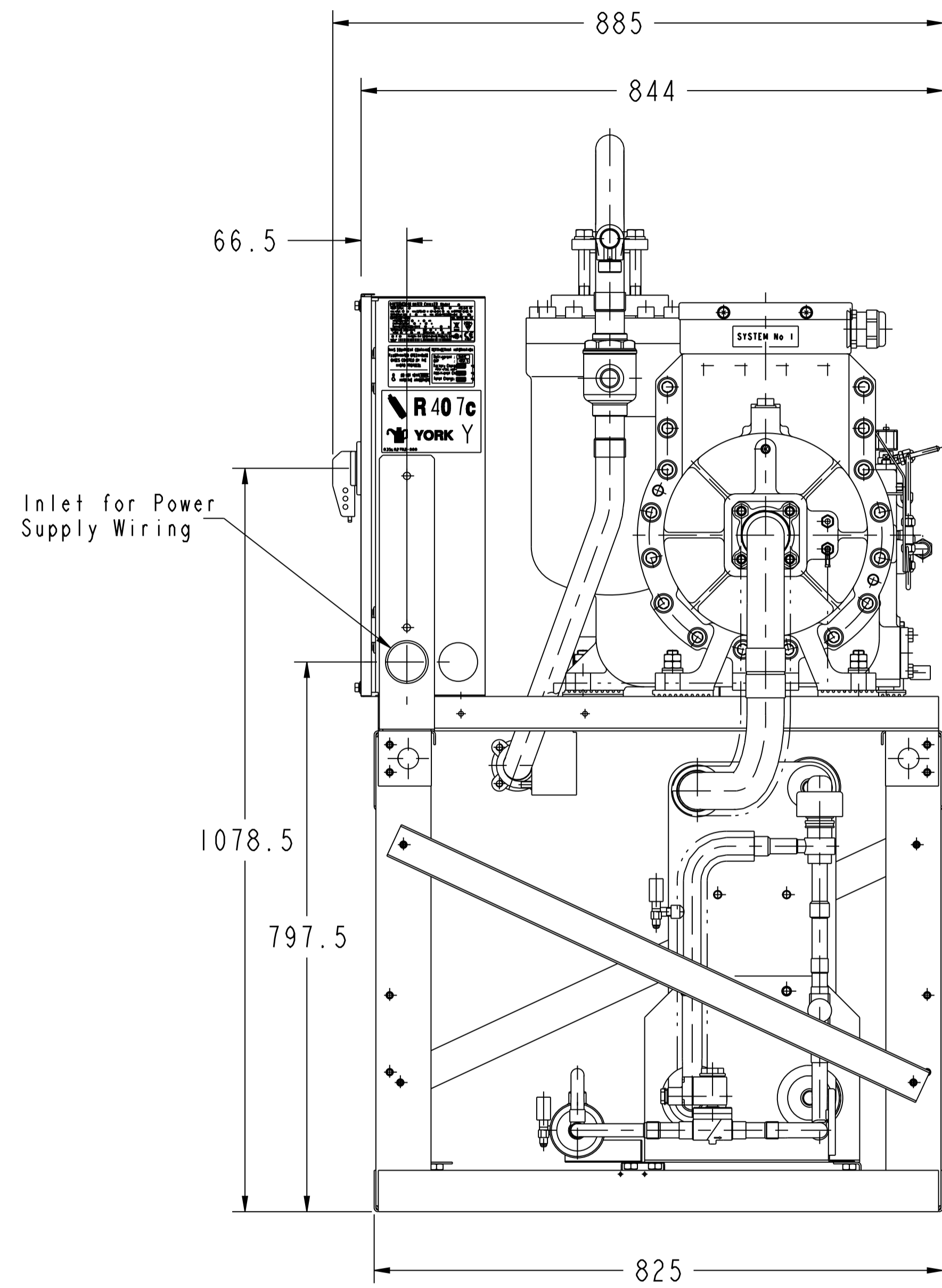


DIMENSIONAL DRAWING OF CONDENSER LESS WATER CHILLER
(YCRE-B040SB50)



REV.	DATE	EC. NO.	DR.	CHK.	ENG.
-	09-APR-2010	-	HAPE	RS	MB
NEW RELEASE					
CONTINUED					

DO NOT SCALE
UNLESS OTHERWISE SPECIFIED,
DIMENSIONS ARE IN MILLIMETERS

		JOHNSON CONTROLS - BUILDING EFFICIENCY 507 EAST MICHIGAN STREET, MILWAUKEE, WI, 53202 USA	
THIRD ANGLE 	PRODUCT DRAWING YCRE 40	MATERIAL - ENG. STD. - PART NO. - CUT SIZE -	REVISION VERSION 0
DRAWN HAPE MODELER - CHKD R SWEED ENG M BEAUMONT	DATE 09-APR-2010 DATE 09-APR-2010	CAGE NUMBER 66935	DRAWING NUMBER 035-23014-000
SCALE: DRAWING SCALE MASS (kg): .000	ORG. NO.: NONE	SHEET 1 OF 1	RELEASED