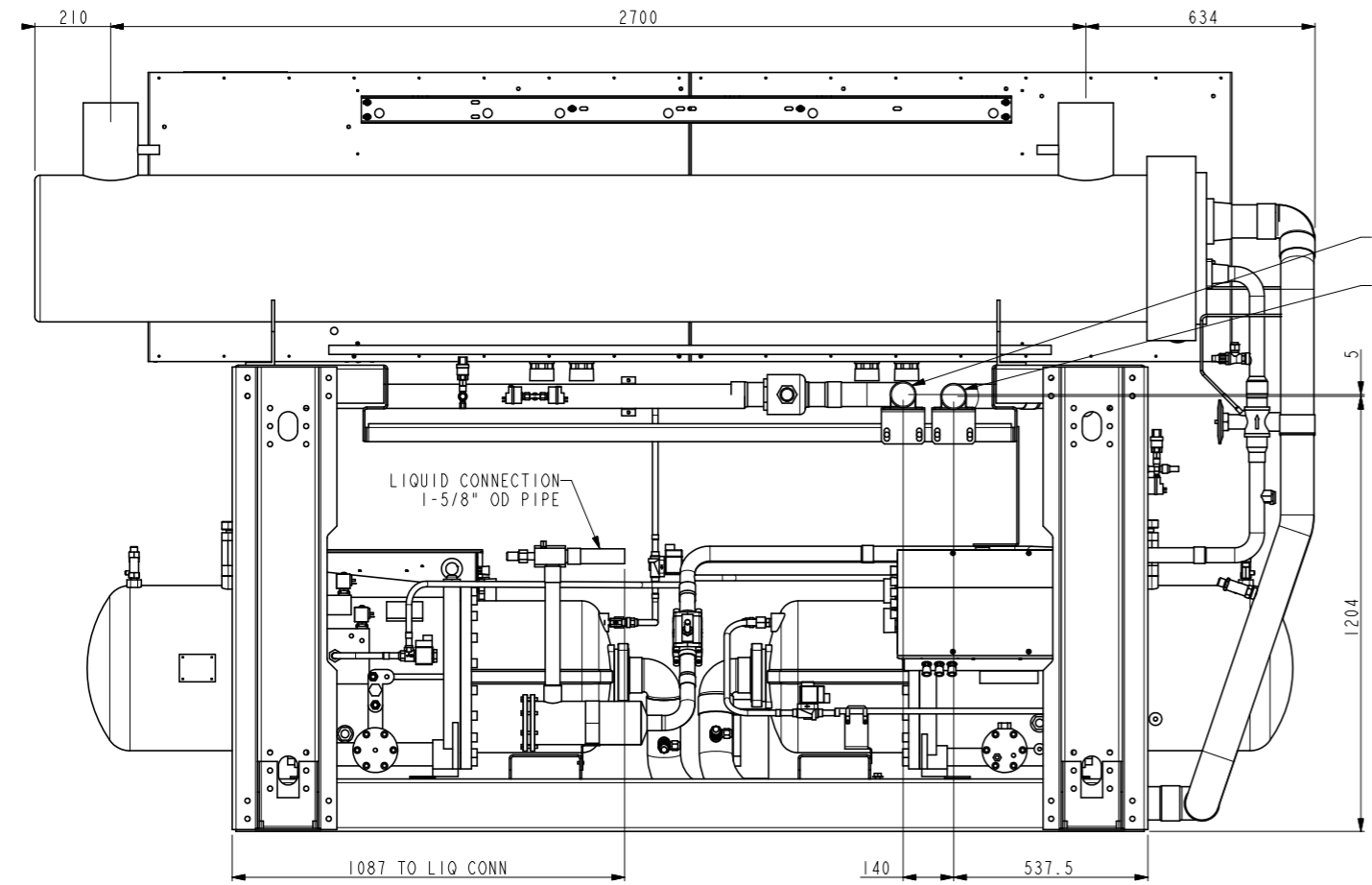
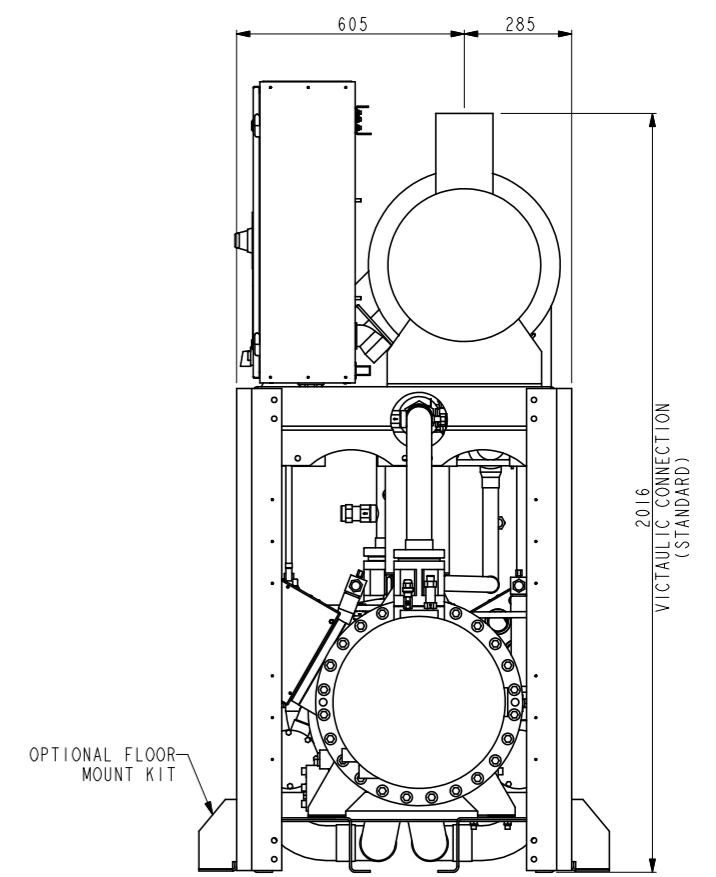
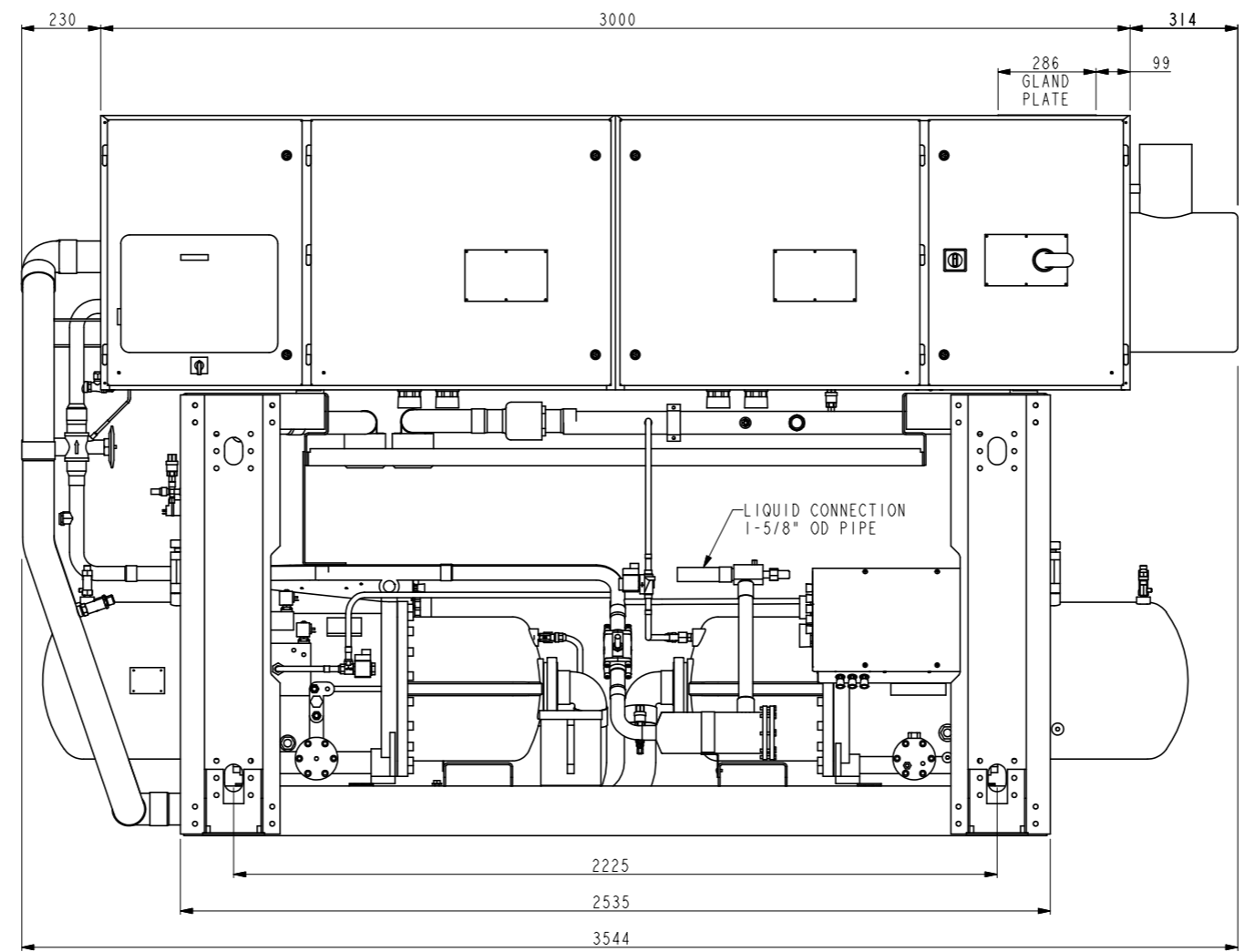
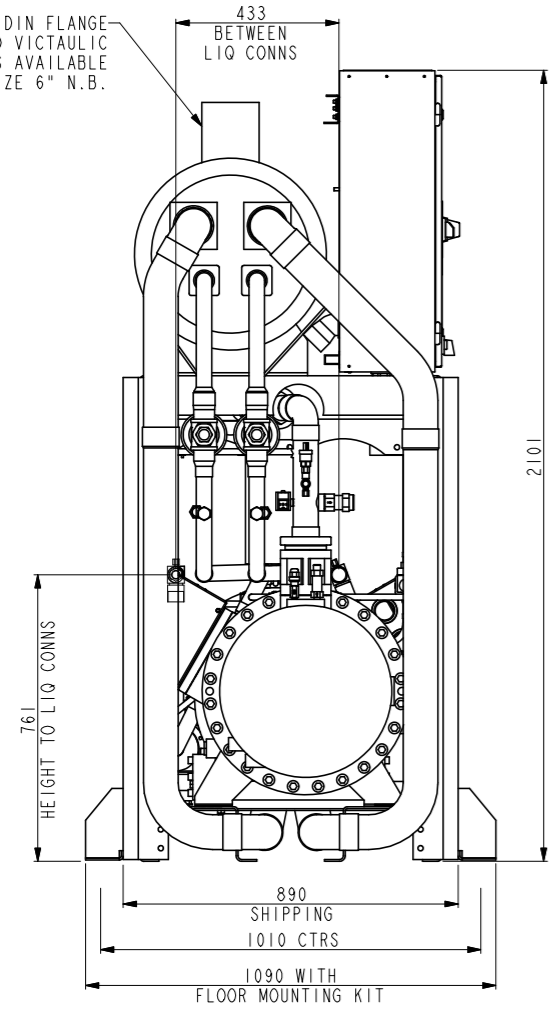
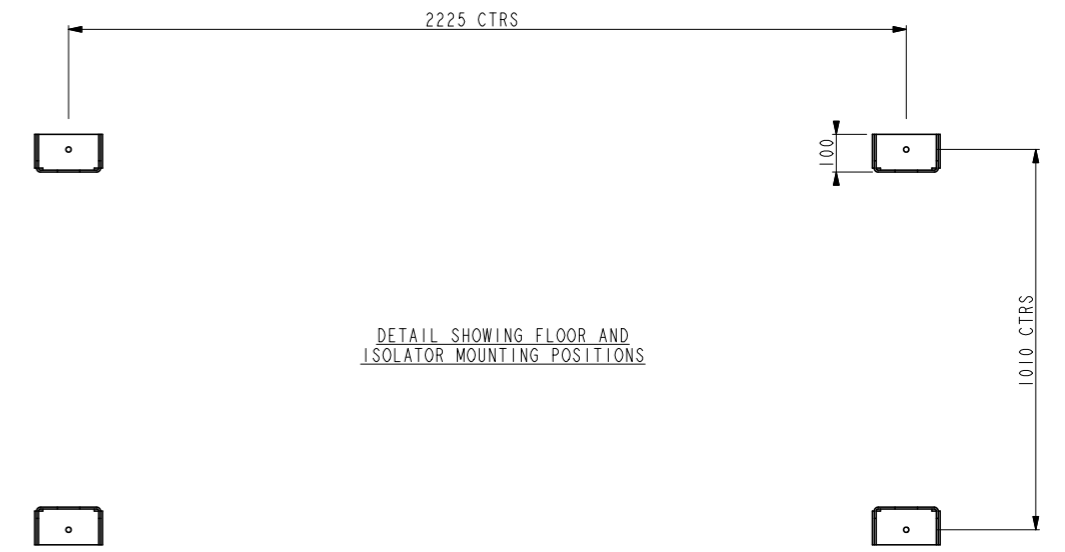


DIN FLANGE AND VICTAULIC CONNECTIONS AVAILABLE CONN. SIZE 6" N.B.



2-5/8" O.D. PIPE DISCHARGE CONN. SYS 1
2-5/8" O.D. PIPE DISCHARGE CONN. SYS 2



DETAIL SHOWING FLOOR AND ISOLATOR MOUNTING POSITIONS

NOTES
SHIPPING WEIGHT = 3570 KG
OPERATING WEIGHT = 3750 KG

REV	DATE	REVISION RECORD	EC. NO.	DR.	CHK.	ENG.
-	27-SEP-2004	NEW DRAWING	20040003	GMC	-	-

YORK INTERNATIONAL CORPORATION
GARDINERS LANE SOUTH, BASILDON, ESSEX, SS14 3HE

THIRD ANGLE	YORK INTERNATIONAL	UNIT ASSY	MATERIAL	NOT APPLICABLE
DO NOT SCALE	YLC5	575AA MODEL	ENG. STD.	NOT APPLICABLE
TOLERANCES PER ED0022	WELDING PER WELD INDEX	REMOTE CONDENSER	PART NO.	
DRAWN: G.M.CARPENTER	27-SEP-2004	CAGE NUMBER	DRAWING NUMBER	REVISION
MODELER: -	-	A1	035L02727-000	4
CHKD: -	-	ORIG. NO. NONE	SHEET: 1 OF 1	RELEASED
ENG: -	-	SCALE: 0.100	WEIGHT: X KG	