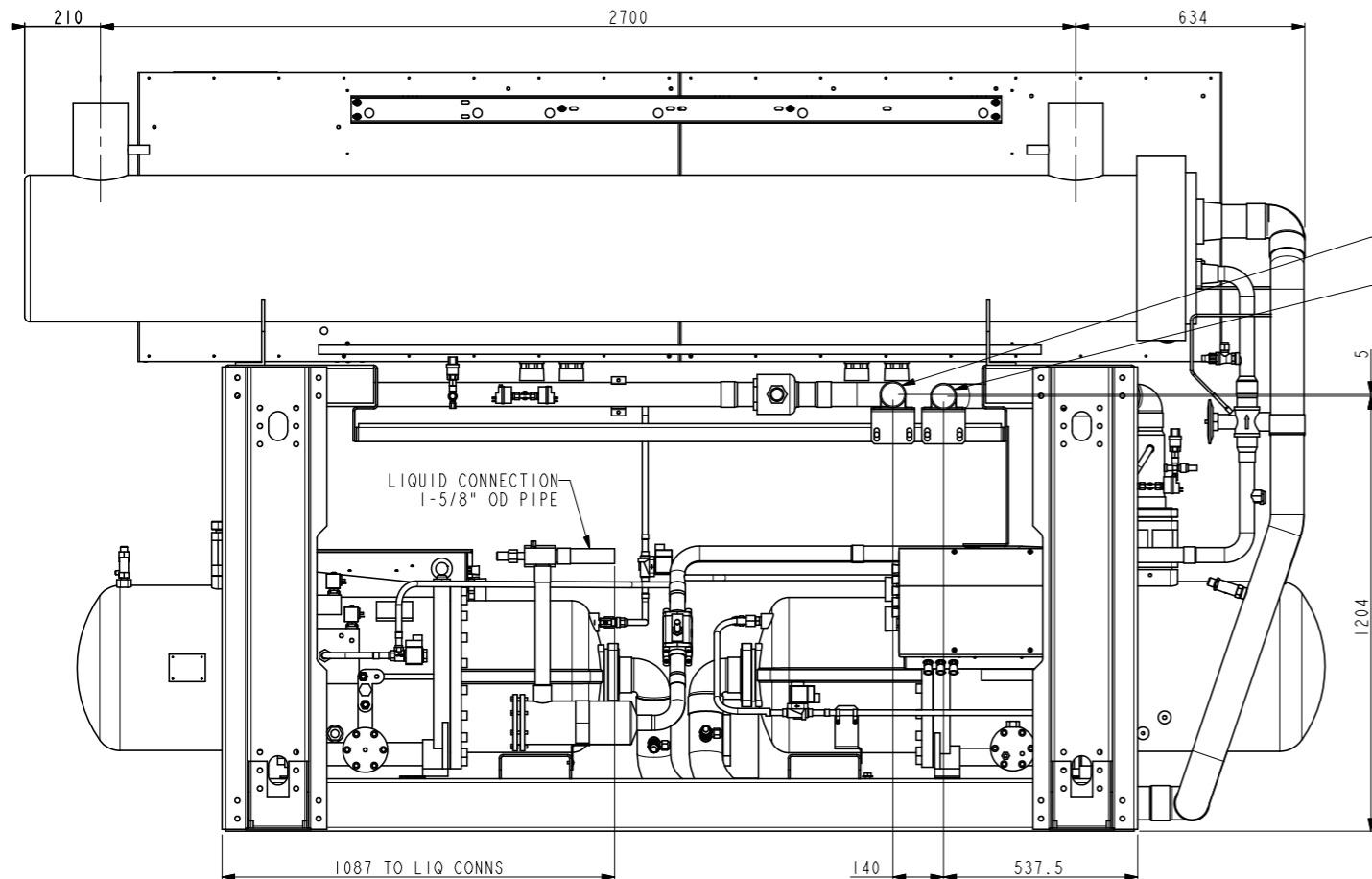
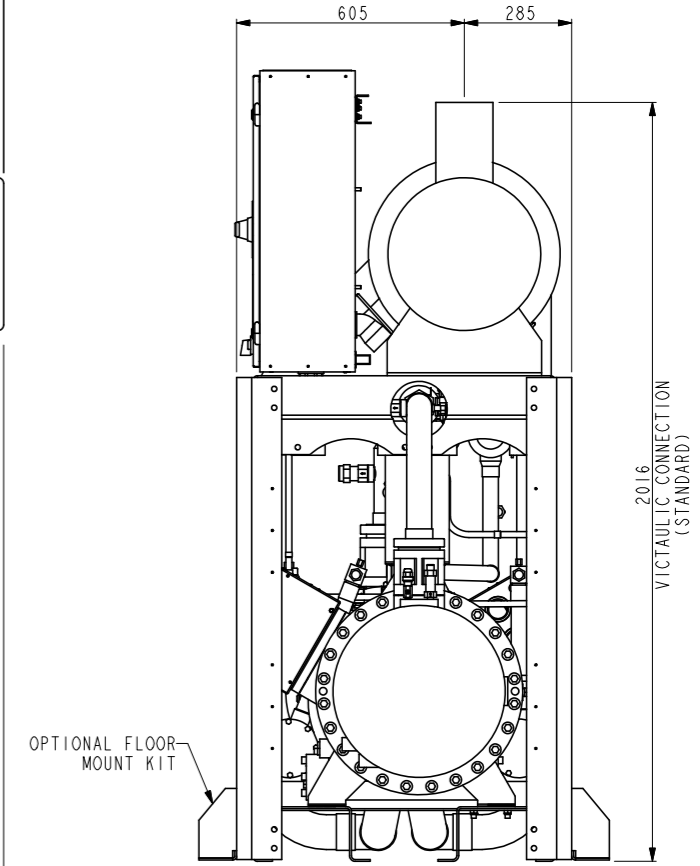
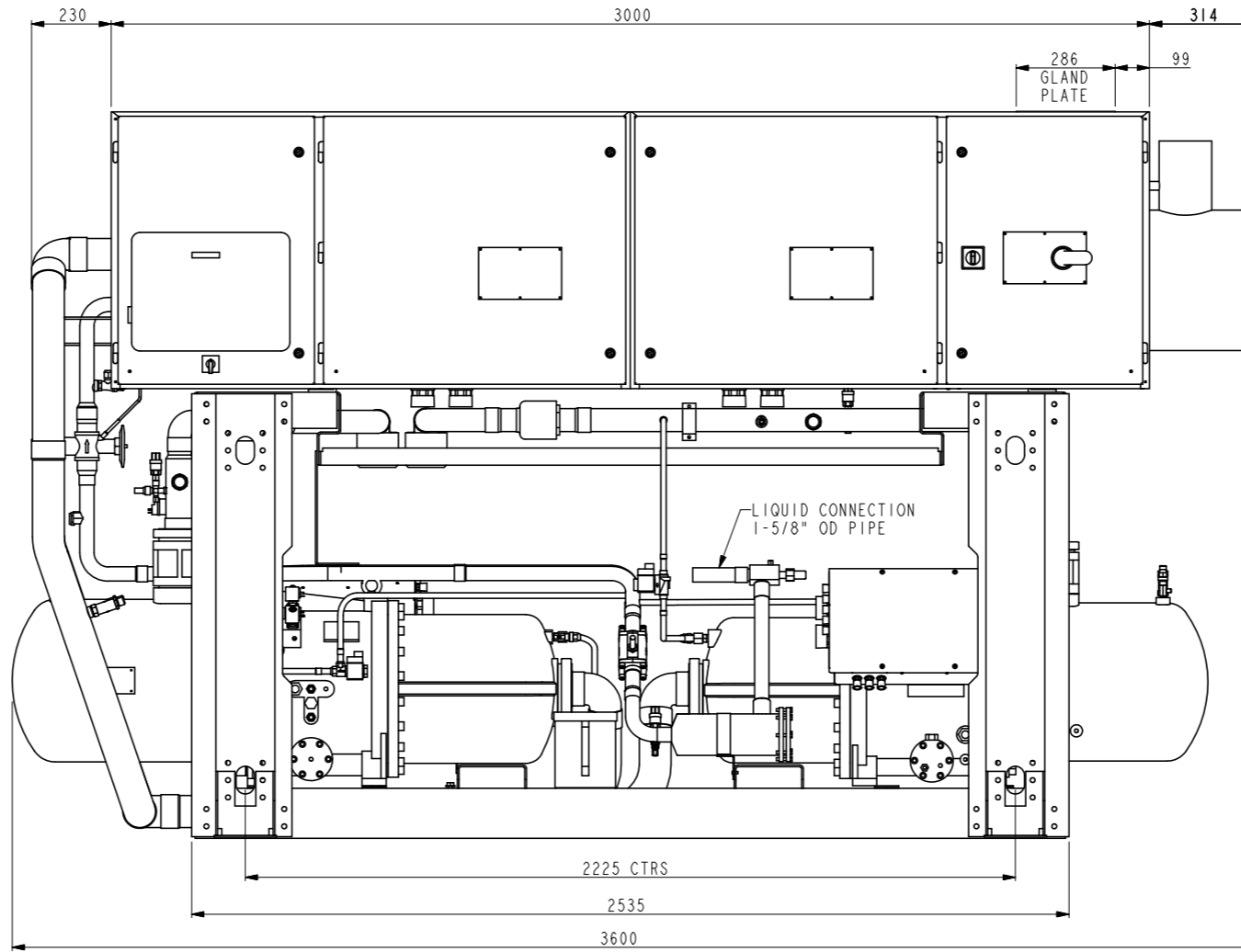
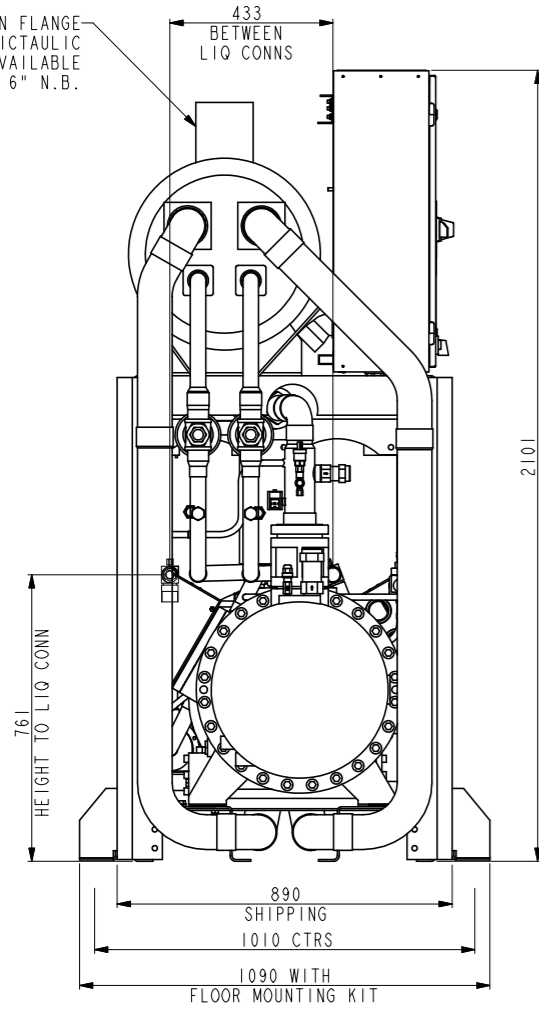
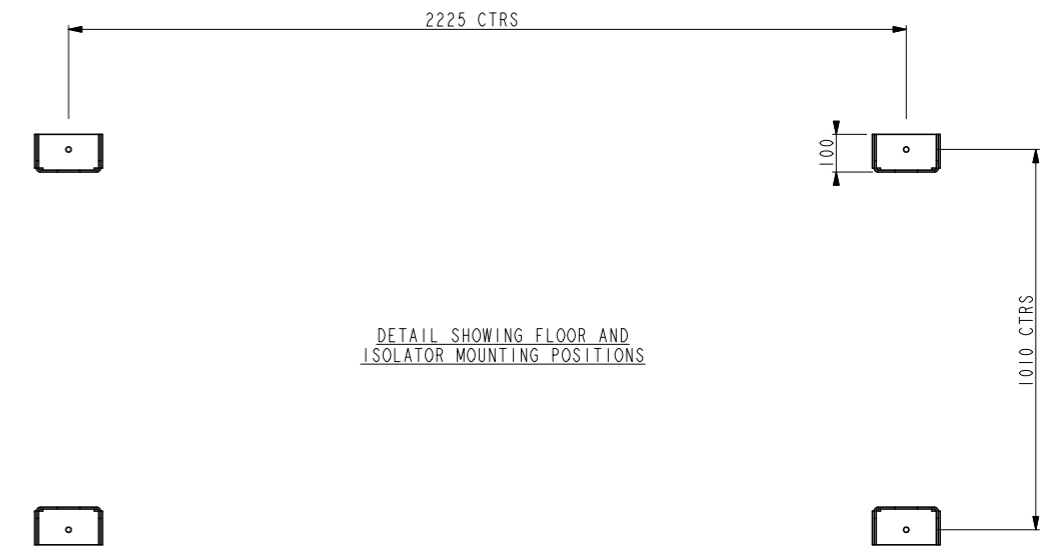


DIN FLANGE AND VICTAULIC CONNECTIONS AVAILABLE CONN. SIZE 6" N.B.



2-5/8" O.D. PIPE DISCHARGE CONN. SYS 1
2-5/8" O.D. PIPE DISCHARGE CONN. SYS 2



DETAIL SHOWING FLOOR AND ISOLATOR MOUNTING POSITIONS

NOTES
SHIPPING WEIGHT = 3695 KG
OPERATING WEIGHT = 3905 KG

YORK INTERNATIONAL CORPORATION
GARDINERS LANE SOUTH, BASILDON, ESSEX, SS14 3HE

| | | | |
|---------------------------|--------------------|----------------|--------------------------|
| THIRD ANGLE | YORK INTERNATIONAL | UNIT ASSY | MATERIAL |
| DO NOT SCALE | YLCs | 620AA MODEL | NOT APPLICABLE |
| TOLERANCES PER ED0022 | REMOTE CONDENSER | CAGE NUMBER | ENG. STD. NOT APPLICABLE |
| WELDING PER WELD INDEX | 810000 | XXXXX | PART NO. |
| DRAWN: G.M.CARPENTER | 27-SEP-2004 | DRAWING NUMBER | REVISION |
| MODELER: | | A1 | 035L02728-000 |
| CHKD: | | SCALE: 0.100 | WEIGHT: X KG |
| ENG: | | ORIG. NO. NONE | SHEET: 1 OF 1 |
| INTERNATIONAL CORPORATION | | RELEASED | |

| REV | DATE | REVISION RECORD | EC. NO. | DR. | CHK. | ENG. |
|-----|-------------|-----------------|----------|-----|------|------|
| - | 27-SEP-2004 | NEW DRAWING | 20040003 | GMC | - | - |

ALL PROPRIETARY RIGHTS IN THE SUBJECT MATTER HEREOF ARE RESERVED AND NO PERMISSION IS GRANTED TO REPRODUCE THIS PRINT IN WHOLE OR IN ANY PART, OR DISCLOSE ANY OF THE INFORMATION UPON IT TO OTHERS WITHOUT WRITTEN RELEASE BY YORK INTERNATIONAL CORPORATION