

4

3

2

1

D

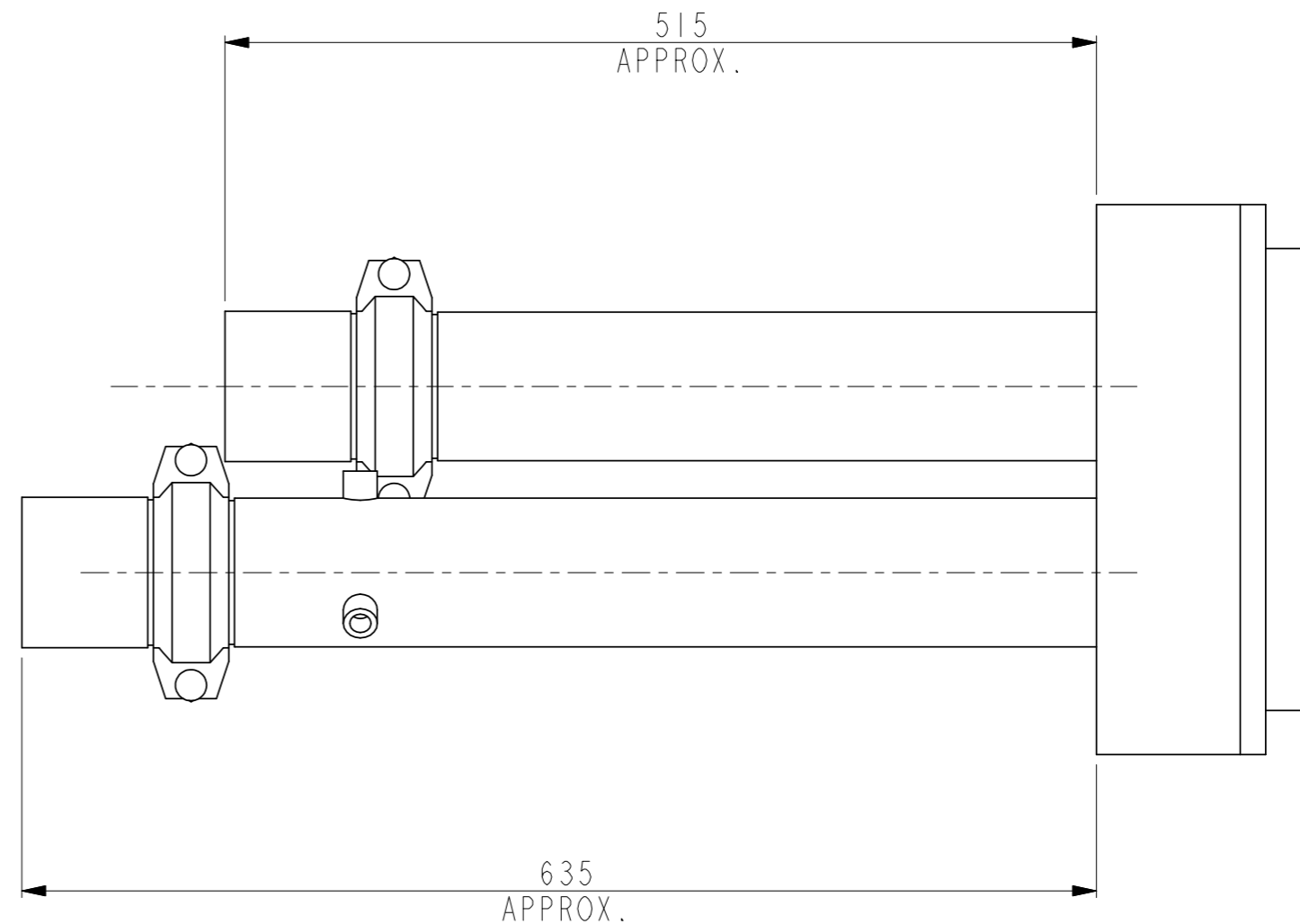
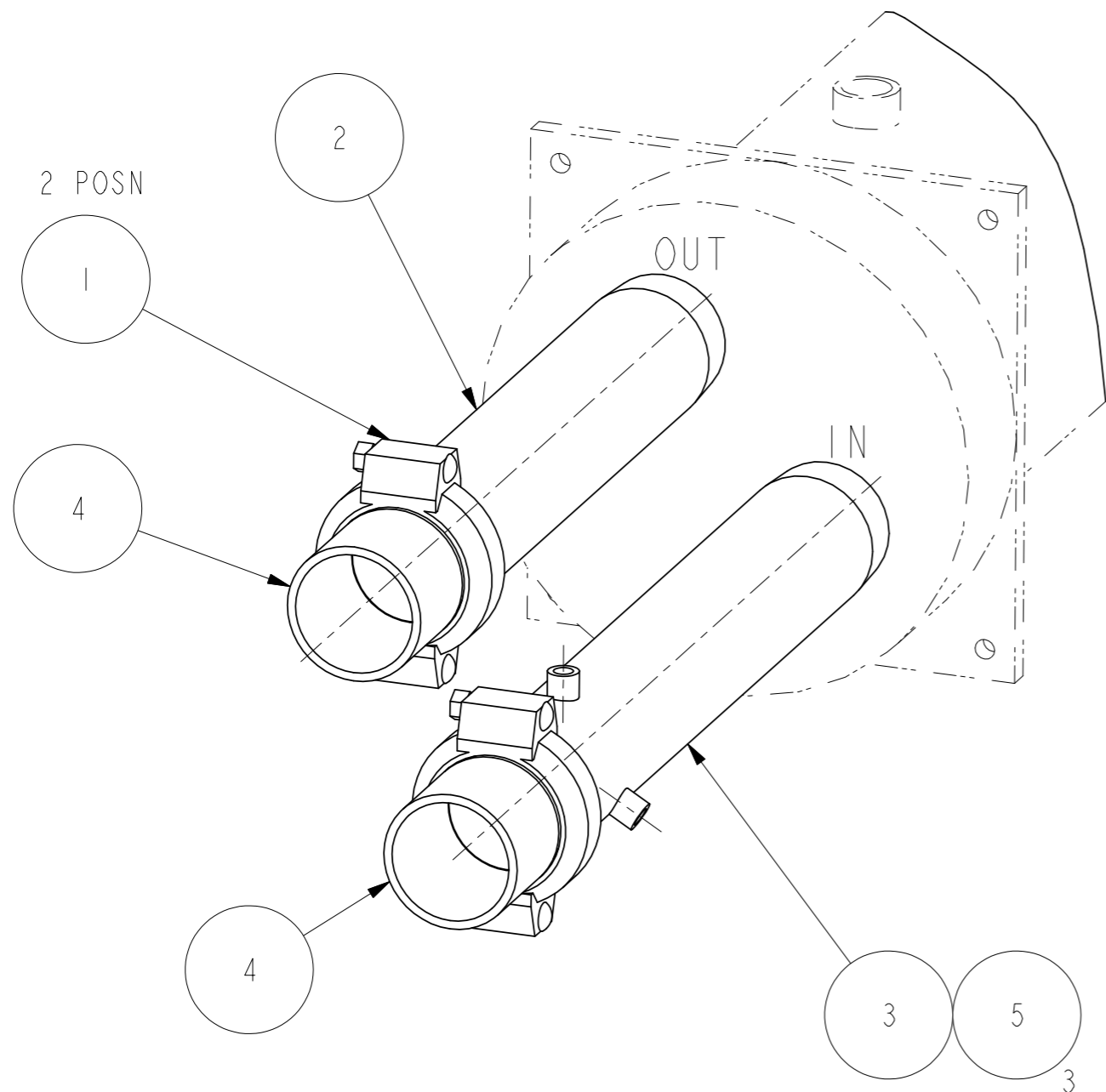
D

C

C

B

B





YORK INTERNATIONAL CORPORATION
 GARDINERS LANE SOUTH, BASILDON, ESSEX. SS14 3HE

REV	DATE	REVISION RECORD	EC. NO.	DR.	CHK.	ENG.	<small> "ALL PROPRIETARY RIGHTS IN THE SUBJECT MATTER HEREOF ARE RESERVED AND NO PERMISSION IS GRANTED TO REPRODUCE THIS PRINT IN WHOLE OR IN ANY PART, OR DISCLOSE ANY OF THE INFORMATION UPON IT TO OTHERS WITHOUT WRITTEN RELEASE BY YORK INTERNATIONAL CORPORATION" </small>
-	18-OCT-2004	PRODUCT RELEASE	20040003	MB	-	-	

<small>DIMENSIONS ARE IN MM DO NOT SCALE TOLERANCES PER ED0022 WELDING PER WELD INDEX</small>		<small>EXTENSION KIT VICTAULIC 3" CONDENSER YLCS</small>		<small>MATERIAL NOT APPLICABLE ENG. STD. NOT APPLICABLE</small>	
<small>DRAWN</small> M. BEAUMONT 18-OCT-2004 <small>MODELER</small> M. BEAUMONT 18-OCT-2004 <small>CHKD</small> - - <small>ENG</small> - -	A3	<small>CAGE NUMBER</small> XXXXX	<small>DRAWING NUMBER</small> 362L18513-000		<small>REVISION</small> - <small>VERSION</small> 6+
<small>SCALE</small> = 0.250	<small>WEIGHT</small> = - KG	<small>ORIG. NO.</small> NONE	<small>SHEET:</small> 1 OF 1	<small>RELEASED</small>	

4

3

2

1

A

A